

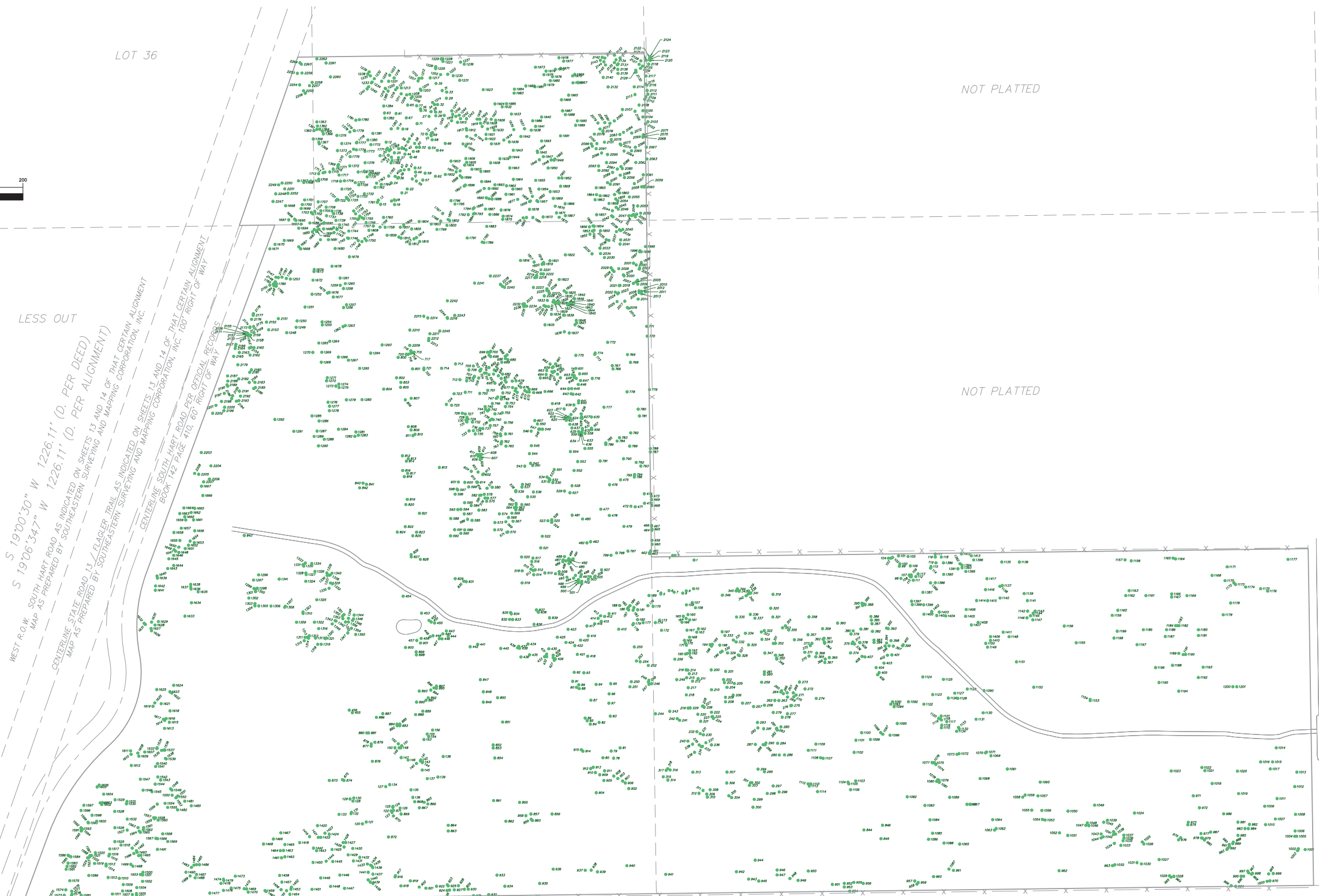
GRAPHIC SCALE

( IN FEET )  
1 inch = 100 ft.

LOT 36

LESS OUT

S 19°00'30" W 1226.11' (D. PER DEED)  
S 19°06'34.7" W 1226.11' (D. PER ALIGNMENT)  
WEST R.O.W. SOUTH HART ROAD AS INDICATED ON SHEETS 13 AND 14 OF THAT CERTAIN ALIGNMENT MAP AS PREPARED BY SOUTHEASTERN SURVEYING AND MAPPING CORPORATION, INC.  
CENTERLINE STATE ROAD 13 / FLAGLER TRAIL AS INDICATED ON SHEETS 13 AND 14 OF THAT CERTAIN ALIGNMENT MAP AS PREPARED BY SOUTHEASTERN SURVEYING AND MAPPING CORPORATION, INC.  
CENTERLINE SOUTH HART ROAD PER OFFICIAL RECORDS BOOK 142 PAGE 410, 60' RIGHT OF WAY



COUNTY ROAD 426 (R.O.W. VARIES)

- LEGEND**
- - 6" D.B.H. TREE
  - - 8" D.B.H. TREE
  - - 10" D.B.H. TREE
  - - 12" D.B.H. TREE
  - - 14" D.B.H. TREE
  - - 16" D.B.H. TREE
  - - 18" D.B.H. TREE
  - - 20" D.B.H. TREE
  - - 22" D.B.H. TREE
  - - 24" D.B.H. TREE
  - - 26" D.B.H. TREE
  - - 28" D.B.H. TREE
  - - 30" D.B.H. TREE
  - - 32" D.B.H. TREE
  - - 34" D.B.H. TREE
  - - 36" D.B.H. TREE
  - - 38" D.B.H. TREE
  - - 40" D.B.H. TREE
  - - 42" D.B.H. TREE
  - - 44" D.B.H. TREE
  - - 46" D.B.H. TREE
  - - 48" D.B.H. TREE
  - - 50" D.B.H. TREE
  - - 52" D.B.H. TREE
  - - 54" D.B.H. TREE
  - - 56" D.B.H. TREE
  - - 58" D.B.H. TREE
  - - 60" D.B.H. TREE
  - - 62" D.B.H. TREE
  - - 64" D.B.H. TREE
  - - 66" D.B.H. TREE
  - - 68" D.B.H. TREE
  - - 70" D.B.H. TREE
  - - 72" D.B.H. TREE
  - - 74" D.B.H. TREE
  - - 76" D.B.H. TREE
  - - 78" D.B.H. TREE
  - - 80" D.B.H. TREE
  - - 82" D.B.H. TREE
  - - 84" D.B.H. TREE
  - - 86" D.B.H. TREE
  - - 88" D.B.H. TREE
  - - 90" D.B.H. TREE
  - - 92" D.B.H. TREE
  - - 94" D.B.H. TREE
  - - 96" D.B.H. TREE
  - - 98" D.B.H. TREE
  - - 100" D.B.H. TREE
  - - 102" D.B.H. TREE
  - - 104" D.B.H. TREE
  - - 106" D.B.H. TREE
  - - 108" D.B.H. TREE
  - - 110" D.B.H. TREE
  - - 112" D.B.H. TREE
  - - 114" D.B.H. TREE
  - - 116" D.B.H. TREE
  - - 118" D.B.H. TREE
  - - 120" D.B.H. TREE
  - - 122" D.B.H. TREE
  - - 124" D.B.H. TREE
  - - 126" D.B.H. TREE
  - - 128" D.B.H. TREE
  - - 130" D.B.H. TREE
  - - 132" D.B.H. TREE
  - - 134" D.B.H. TREE
  - - 136" D.B.H. TREE
  - - 138" D.B.H. TREE
  - - 140" D.B.H. TREE
  - - 142" D.B.H. TREE
  - - 144" D.B.H. TREE
  - - 146" D.B.H. TREE
  - - 148" D.B.H. TREE
  - - 150" D.B.H. TREE
  - - 152" D.B.H. TREE
  - - 154" D.B.H. TREE
  - - 156" D.B.H. TREE
  - - 158" D.B.H. TREE
  - - 160" D.B.H. TREE
  - - 162" D.B.H. TREE
  - - 164" D.B.H. TREE
  - - 166" D.B.H. TREE
  - - 168" D.B.H. TREE
  - - 170" D.B.H. TREE
  - - 172" D.B.H. TREE
  - - 174" D.B.H. TREE
  - - 176" D.B.H. TREE
  - - 178" D.B.H. TREE
  - - 180" D.B.H. TREE
  - - 182" D.B.H. TREE
  - - 184" D.B.H. TREE
  - - 186" D.B.H. TREE
  - - 188" D.B.H. TREE
  - - 190" D.B.H. TREE
  - - 192" D.B.H. TREE
  - - 194" D.B.H. TREE
  - - 196" D.B.H. TREE
  - - 198" D.B.H. TREE
  - - 200" D.B.H. TREE
  - - 202" D.B.H. TREE
  - - 204" D.B.H. TREE
  - - 206" D.B.H. TREE
  - - 208" D.B.H. TREE
  - - 210" D.B.H. TREE
  - - 212" D.B.H. TREE
  - - 214" D.B.H. TREE
  - - 216" D.B.H. TREE
  - - 218" D.B.H. TREE
  - - 220" D.B.H. TREE
  - - 222" D.B.H. TREE
  - - 224" D.B.H. TREE
  - - 226" D.B.H. TREE
  - - 228" D.B.H. TREE
  - - 230" D.B.H. TREE
  - - 232" D.B.H. TREE
  - - 234" D.B.H. TREE
  - - 236" D.B.H. TREE
  - - 238" D.B.H. TREE
  - - 240" D.B.H. TREE
  - - 242" D.B.H. TREE
  - - 244" D.B.H. TREE
  - - 246" D.B.H. TREE
  - - 248" D.B.H. TREE
  - - 250" D.B.H. TREE
  - - 252" D.B.H. TREE
  - - 254" D.B.H. TREE
  - - 256" D.B.H. TREE
  - - 258" D.B.H. TREE
  - - 260" D.B.H. TREE
  - - 262" D.B.H. TREE
  - - 264" D.B.H. TREE
  - - 266" D.B.H. TREE
  - - 268" D.B.H. TREE
  - - 270" D.B.H. TREE
  - - 272" D.B.H. TREE
  - - 274" D.B.H. TREE
  - - 276" D.B.H. TREE
  - - 278" D.B.H. TREE
  - - 280" D.B.H. TREE
  - - 282" D.B.H. TREE
  - - 284" D.B.H. TREE
  - - 286" D.B.H. TREE
  - - 288" D.B.H. TREE
  - - 290" D.B.H. TREE
  - - 292" D.B.H. TREE
  - - 294" D.B.H. TREE
  - - 296" D.B.H. TREE
  - - 298" D.B.H. TREE
  - - 300" D.B.H. TREE
  - - 302" D.B.H. TREE
  - - 304" D.B.H. TREE
  - - 306" D.B.H. TREE
  - - 308" D.B.H. TREE
  - - 310" D.B.H. TREE
  - - 312" D.B.H. TREE
  - - 314" D.B.H. TREE
  - - 316" D.B.H. TREE
  - - 318" D.B.H. TREE
  - - 320" D.B.H. TREE
  - - 322" D.B.H. TREE
  - - 324" D.B.H. TREE
  - - 326" D.B.H. TREE
  - - 328" D.B.H. TREE
  - - 330" D.B.H. TREE
  - - 332" D.B.H. TREE
  - - 334" D.B.H. TREE
  - - 336" D.B.H. TREE
  - - 338" D.B.H. TREE
  - - 340" D.B.H. TREE
  - - 342" D.B.H. TREE
  - - 344" D.B.H. TREE
  - - 346" D.B.H. TREE
  - - 348" D.B.H. TREE
  - - 350" D.B.H. TREE
  - - 352" D.B.H. TREE
  - - 354" D.B.H. TREE
  - - 356" D.B.H. TREE
  - - 358" D.B.H. TREE
  - - 360" D.B.H. TREE
  - - 362" D.B.H. TREE
  - - 364" D.B.H. TREE
  - - 366" D.B.H. TREE
  - - 368" D.B.H. TREE
  - - 370" D.B.H. TREE
  - - 372" D.B.H. TREE
  - - 374" D.B.H. TREE
  - - 376" D.B.H. TREE
  - - 378" D.B.H. TREE
  - - 380" D.B.H. TREE
  - - 382" D.B.H. TREE
  - - 384" D.B.H. TREE
  - - 386" D.B.H. TREE
  - - 388" D.B.H. TREE
  - - 390" D.B.H. TREE
  - - 392" D.B.H. TREE
  - - 394" D.B.H. TREE
  - - 396" D.B.H. TREE
  - - 398" D.B.H. TREE
  - - 400" D.B.H. TREE
  - - 402" D.B.H. TREE
  - - 404" D.B.H. TREE
  - - 406" D.B.H. TREE
  - - 408" D.B.H. TREE
  - - 410" D.B.H. TREE
  - - 412" D.B.H. TREE
  - - 414" D.B.H. TREE
  - - 416" D.B.H. TREE
  - - 418" D.B.H. TREE
  - - 420" D.B.H. TREE
  - - 422" D.B.H. TREE
  - - 424" D.B.H. TREE
  - - 426" D.B.H. TREE
  - - 428" D.B.H. TREE
  - - 430" D.B.H. TREE
  - - 432" D.B.H. TREE
  - - 434" D.B.H. TREE
  - - 436" D.B.H. TREE
  - - 438" D.B.H. TREE
  - - 440" D.B.H. TREE
  - - 442" D.B.H. TREE
  - - 444" D.B.H. TREE
  - - 446" D.B.H. TREE
  - - 448" D.B.H. TREE
  - - 450" D.B.H. TREE
  - - 452" D.B.H. TREE
  - - 454" D.B.H. TREE
  - - 456" D.B.H. TREE
  - - 458" D.B.H. TREE
  - - 460" D.B.H. TREE
  - - 462" D.B.H. TREE
  - - 464" D.B.H. TREE
  - - 466" D.B.H. TREE
  - - 468" D.B.H. TREE
  - - 470" D.B.H. TREE
  - - 472" D.B.H. TREE
  - - 474" D.B.H. TREE
  - - 476" D.B.H. TREE
  - - 478" D.B.H. TREE
  - - 480" D.B.H. TREE
  - - 482" D.B.H. TREE
  - - 484" D.B.H. TREE
  - - 486" D.B.H. TREE
  - - 488" D.B.H. TREE
  - - 490" D.B.H. TREE
  - - 492" D.B.H. TREE
  - - 494" D.B.H. TREE
  - - 496" D.B.H. TREE
  - - 498" D.B.H. TREE
  - - 500" D.B.H. TREE
  - - 502" D.B.H. TREE
  - - 504" D.B.H. TREE
  - - 506" D.B.H. TREE
  - - 508" D.B.H. TREE
  - - 510" D.B.H. TREE
  - - 512" D.B.H. TREE
  - - 514" D.B.H. TREE
  - - 516" D.B.H. TREE
  - - 518" D.B.H. TREE
  - - 520" D.B.H. TREE
  - - 522" D.B.H. TREE
  - - 524" D.B.H. TREE
  - - 526" D.B.H. TREE
  - - 528" D.B.H. TREE
  - - 530" D.B.H. TREE
  - - 532" D.B.H. TREE
  - - 534" D.B.H. TREE
  - - 536" D.B.H. TREE
  - - 538" D.B.H. TREE
  - - 540" D.B.H. TREE
  - - 542" D.B.H. TREE
  - - 544" D.B.H. TREE
  - - 546" D.B.H. TREE
  - - 548" D.B.H. TREE
  - - 550" D.B.H. TREE
  - - 552" D.B.H. TREE
  - - 554" D.B.H. TREE
  - - 556" D.B.H. TREE
  - - 558" D.B.H. TREE
  - - 560" D.B.H. TREE
  - - 562" D.B.H. TREE
  - - 564" D.B.H. TREE
  - - 566" D.B.H. TREE
  - - 568" D.B.H. TREE
  - - 570" D.B.H. TREE
  - - 572" D.B.H. TREE
  - - 574" D.B.H. TREE
  - - 576" D.B.H. TREE
  - - 578" D.B.H. TREE
  - - 580" D.B.H. TREE
  - - 582" D.B.H. TREE
  - - 584" D.B.H. TREE
  - - 586" D.B.H. TREE
  - - 588" D.B.H. TREE
  - - 590" D.B.H. TREE
  - - 592" D.B.H. TREE
  - - 594" D.B.H. TREE
  - - 596" D.B.H. TREE
  - - 598" D.B.H. TREE
  - - 600" D.B.H. TREE
  - - 602" D.B.H. TREE
  - - 604" D.B.H. TREE
  - - 606" D.B.H. TREE
  - - 608" D.B.H. TREE
  - - 610" D.B.H. TREE
  - - 612" D.B.H. TREE
  - - 614" D.B.H. TREE
  - - 616" D.B.H. TREE
  - - 618" D.B.H. TREE
  - - 620" D.B.H. TREE
  - - 622" D.B.H. TREE
  - - 624" D.B.H. TREE
  - - 626" D.B.H. TREE
  - - 628" D.B.H. TREE
  - - 630" D.B.H. TREE
  - - 632" D.B.H. TREE
  - - 634" D.B.H. TREE
  - - 636" D.B.H. TREE
  - - 638" D.B.H. TREE
  - - 640" D.B.H. TREE
  - - 642" D.B.H. TREE
  - - 644" D.B.H. TREE
  - - 646" D.B.H. TREE
  - - 648" D.B.H. TREE
  - - 650" D.B.H. TREE
  - - 652" D.B.H. TREE
  - - 654" D.B.H. TREE
  - - 656" D.B.H. TREE
  - - 658" D.B.H. TREE
  - - 660" D.B.H. TREE
  - - 662" D.B.H. TREE
  - - 664" D.B.H. TREE
  - - 666" D.B.H. TREE
  - - 668" D.B.H. TREE
  - - 670" D.B.H. TREE
  - - 672" D.B.H. TREE
  - - 674" D.B.H. TREE
  - - 676" D.B.H. TREE
  - - 678" D.B.H. TREE
  - - 680" D.B.H. TREE
  - - 682" D.B.H. TREE
  - - 684" D.B.H. TREE
  - - 686" D.B.H. TREE
  - - 688" D.B.H. TREE
  - - 690" D.B.H. TREE
  - - 692" D.B.H. TREE
  - - 694" D.B.H. TREE
  - - 696" D.B.H. TREE
  - - 698" D.B.H. TREE
  - - 700" D.B.H. TREE
  - - 702" D.B.H. TREE
  - - 704" D.B.H. TREE
  - - 706" D.B.H. TREE
  - - 708" D.B.H. TREE
  - - 710" D.B.H. TREE
  - - 712" D.B.H. TREE
  - - 714" D.B.H. TREE
  - - 716" D.B.H. TREE
  - - 718" D.B.H. TREE
  - - 720" D.B.H. TREE
  - - 722" D.B.H. TREE
  - - 724" D.B.H. TREE
  - - 726" D.B.H. TREE
  - - 728" D.B.H. TREE
  - - 730" D.B.H. TREE
  - - 732" D.B.H. TREE
  - - 734" D.B.H. TREE
  - - 736" D.B.H. TREE
  - - 738" D.B.H. TREE
  - - 740" D.B.H. TREE
  - - 742" D.B.H. TREE
  - - 744" D.B.H. TREE
  - - 746" D.B.H. TREE
  - - 748" D.B.H. TREE
  - - 750" D.B.H. TREE
  - - 752" D.B.H. TREE
  - - 754" D.B.H. TREE
  - - 756" D.B.H. TREE
  - - 758" D.B.H. TREE
  - - 760" D.B.H. TREE
  - - 762" D.B.H. TREE
  - - 764" D.B.H. TREE
  - - 766" D.B.H. TREE
  - - 768" D.B.H. TREE
  - - 770" D.B.H. TREE
  - - 772" D.B.H. TREE
  - - 774" D.B.H. TREE
  - - 776" D.B.H. TREE
  - - 778" D.B.H. TREE
  - - 780" D.B.H. TREE
  - - 782" D.B.H. TREE
  - - 784" D.B.H. TREE
  - - 786" D.B.H. TREE
  - - 788" D.B.H. TREE
  - - 790" D.B.H. TREE
  - - 792" D.B.H. TREE
  - - 794" D.B.H. TREE
  - - 796" D.B.H. TREE
  - - 798" D.B.H. TREE
  - - 800" D.B.H. TREE
  - - 802" D.B.H. TREE
  - - 804" D.B.H. TREE
  - - 806" D.B.H. TREE
  - - 808" D.B.H. TREE
  - - 810" D.B.H. TREE
  - - 812" D.B.H. TREE
  - - 814" D.B.H. TREE
  - - 816" D.B.H. TREE
  - - 818" D.B.H. TREE
  - - 820" D.B.H. TREE
  - - 822" D.B.H. TREE
  - - 824" D.B.H. TREE
  - - 826" D.B.H. TREE
  - - 828" D.B.H. TREE
  - - 830" D.B.H. TREE
  - - 832" D.B.H. TREE
  - - 834" D.B.H. TREE
  - - 836" D.B.H. TREE
  - - 838" D.B.H. TREE
  - - 840" D.B.H. TREE
  - - 842" D.B.H. TREE
  - - 844" D.B.H. TREE
  - - 846" D.B.H. TREE
  - - 848" D.B.H. TREE
  - - 850" D.B.H. TREE
  - - 852" D.B.H. TREE
  - - 854" D.B.H. TREE
  - - 856" D.B.H. TREE
  - - 858" D.B.H. TREE
  - - 860" D.B.H. TREE
  - - 862" D.B.H. TREE
  - - 864" D.B.H. TREE
  - - 866" D.B.H. TREE
  - - 868" D.B.H. TREE
  - - 870" D.B.H. TREE
  - - 872" D.B.H. TREE
  - - 874" D.B.H. TREE
  - - 876" D.B.H. TREE
  - - 878" D.B.H. TREE
  - - 880" D.B.H. TREE
  - - 882" D.B.H. TREE
  - - 884" D.B.H. TREE
  - - 886" D.B.H. TREE
  - - 888" D.B.H. TREE
  - - 890" D.B.H. TREE
  - - 892" D.B.H. TREE
  - - 894" D.B.H. TREE
  - - 896" D.B.H. TREE
  - - 898" D.B.H. TREE
  - - 900" D.B.H. TREE
  - - 902" D.B.H. TREE
  - - 904" D.B.H. TREE
  - - 906" D.B.H. TREE
  - - 908" D.B.H. TREE
  - - 910" D.B.H. TREE
  - - 912" D.B.H. TREE
  - - 914" D.B.H. TREE
  - - 916" D.B.H. TREE
  - - 918" D.B.H. TREE
  - - 920" D.B.H. TREE
  - - 922" D.B.H. TREE
  - - 924" D.B.H. TREE
  - - 926" D.B.H. TREE
  - - 928" D.B.H. TREE
  - - 930" D.B.H. TREE
  - - 932" D.B.H. TREE
  - - 934" D.B.H. TREE
  - - 936" D.B.H. TREE
  - - 938" D.B.H. TREE
  - - 940" D.B.H. TREE
  - - 942" D.B.H. TREE
  - - 944" D.B.H. TREE
  - - 946" D.B.H. TREE
  - - 948" D.B.H. TREE
  - - 950" D.B.H. TREE
  - - 952" D.B.H. TREE
  - - 954" D.B.H. TREE
  - - 956" D.B.H. TREE
  - - 958" D.B.H. TREE
  - - 960" D.B.H. TREE
  - - 962" D.B.H. TREE
  - - 964" D.B.H. TREE
  - - 966" D.B.H. TREE
  - - 968" D.B.H. TREE
  - - 970" D.B.H. TREE
  - - 972" D.B.H. TREE
  - - 974" D.B.H. TREE
  - - 976" D.B.H. TREE
  - - 978" D.B.H. TREE
  - - 980" D.B.H. TREE
  - - 982" D.B.H. TREE
  - - 984" D.B.H. TREE
  - - 986" D.B.H. TREE
  - - 988" D.B.H. TREE
  - - 990" D.B.H. TREE
  - - 992" D.B.H. TREE
  - - 994" D.B.H. TREE
  - - 996" D.B.H. TREE
  - - 998" D.B.H. TREE
  - - 1000" D.B.H. TREE

**NOTES**

1. BEARINGS ARE BASED ON THE EAST LINE OF SECTION 21, TOWNSHIP 20 SOUTH, RANGE 32 EAST.
2. THE SURVEY SHOWN HEREON WAS SURVEYED BY THE LEGAL DESCRIPTION PROVIDED BY THE CLIENT.
3. THIS SURVEY IS NOT VALID WITHOUT THE SURVEYORS SEAL.
4. NO IMPROVEMENTS OR UNDERGROUND UTILITIES HAVE BEEN LOCATED EXCEPT AS SHOWN.
5. THE SURVEYOR HAS NOT ABSTRACTED THE LANDS HEREON FOR EASEMENTS OR RIGHT-OF-WAY OF RECORD.
6. THERE MAY ADDITIONAL RESTRICTIONS THAT ARE NOT RECORDED ON THIS PLAT THAT MAY BE FOUND IN THE PUBLIC RECORDS OF THIS COUNTY.
7. ALL BEARINGS / ANGLES AND DISTANCES ARE MEASURED UNLESS NOTED OTHERWISE.
8. TREES LOCATED 6" DBH AND GREATER.
9. ELEVATIONS ARE BASED ON THE F.I.D.T. FROM NETWORK NAHD 88.
10. SEE BOUNDARY SURVEY FOR BOUNDARY INFORMATION.

TREE SURVEY

CERTIFIED TO: CKS Aulin Land Holdings, LLC.

PREPARED BY:  
**CHARLES ROB DEFOOR**  
PROFESSIONAL LAND SURVEYOR  
P.O. BOX 1472, GENEVA, FLA. 32732 / (407) 880-9811 WWW.DEFOORSURVEYING.COM

I HEREBY CERTIFY THAT THIS SURVEY MEETS OR EXCEEDS THE STANDARDS OF PRACTICE AND IS ELECTRONICALLY SIGNED AND SEALED AS SET FORTH BY THE FLORIDA BOARD OF LAND SURVEYING, PURSUANT TO SECTION 54-17.002, F.L.A. ADMINISTRATIVE CODE, PURSUANT TO CHAPTER 422.008, F.S. 422.007, FLORIDA STATUTES.

CHARLES R. DEFOOR, PLS 4189

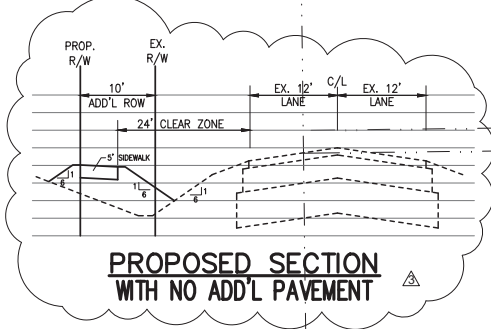
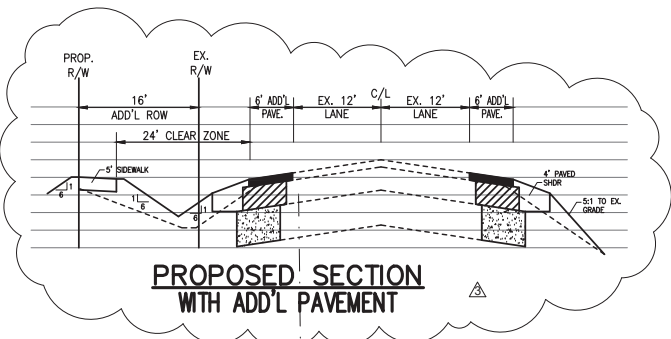
SURVEY  
DATE: 7-18-23  
DRAWN BY: JH  
SCALE: 1" = 100'  
SHEET: 1 OF 5  
REVISION:  
DATE:

TREE ID	NORTHING	EASTING	DESCRIPTION	TREE ID	NORTHING	EASTING	DESCRIPTION	TREE ID	NORTHING	EASTING	DESCRIPTION	TREE ID	NORTHING	EASTING	DESCRIPTION	TREE ID	NORTHING	EASTING	DESCRIPTION	TREE ID	NORTHING	EASTING	DESCRIPTION								
1	1598371.8	618041.7	13" PALM	91	1598133.1	617802.6	7" PINE	181	1598274.0	617930.5	10" BLACK CHERRY	271	1598106.0	618242.6	6" OAK	361	1598217.7	618297.6	6" OAK	451	1598250.0	617523.8	10" OAK	541	159858.2	617723.9	6" OAK	631	1598631.0	617821.6	11" OAK
2	1598380.8	618003.9	14" OAK	92	1598150.7	617805.6	10" BLACK CHERRY	182	1598273.1	617923.3	13" OAK	272	1598118.1	618260.1	16" PALM	362	1598216.1	618295.6	10" OAK	452	1598253.0	617519.6	14" OAK	542	1598562.4	617719.8	9" OAK	632	1598627.2	617821.9	14" PALM
3	1598388.0	618003.9	20" OAK	93	1598149.9	617824.7	11" OAK	183	1598273.1	617921.6	6" OAK	273	1598131.6	618249.3	16" PALM	363	1598210.7	618298.3	12" BLACK CHERRY	453	1598267.3	617505.0	12" PINE	543	1598556.8	617708.2	10" OAK	633	1598639.1	617820.3	8" OAK
4	1598306.9	617976.4	8" OAK	94	1598126.9	617848.8	9" PINE	184	1598282.1	617915.5	8" OAK	274	1598099.3	618282.3	16" PINE	364	1598208.0	618298.8	8" OAK	454	1598300.7	617468.7	9" PINE	544	1598581.5	617717.4	11" BLACK CHERRY	634	1598622.0	617818.7	10" OAK
5	1598304.9	617976.2	10" BLACK CHERRY	95	1598128.3	617877.5	20" OAK	185	1598278.3	617912.0	8" OAK	275	1598085.4	618233.8	18" OAK	365	1598179.8	618300.0	14" PALM	455	1598071.4	617368.8	6" PINE	545	1598597.1	617721.3	48" SPLIT OAK	635	1598625.0	617814.3	11" OAK
6	1598311.7	617992.4	10" OAK	96	1598108.3	617874.4	9" OAK	186	1598275.9	617910.4	12" OAK	276	1598085.2	618232.1	6" OAK	366	1598176.9	618300.0	8" OAK	456	1598076.3	617362.6	8" PINE	546	1598625.8	617720.8	13" CEDAR	636	1598622.3	617818.4	8" OAK
7	1598308.6	618002.4	6" OAK	97	1598089.9	617873.8	10" OAK	187	1598276.1	617910.4	6" OAK	277	1598069.2	618225.6	7" BLACK CHERRY	367	1598170.2	618299.2	8" BLACK CHERRY	457	1598213.6	617495.5	14" OAK	547	1598629.7	617735.7	8" OAK	637	1598632.1	617801.2	6" OAK
8	1598306.7	618019.4	16" PALM	98	1598335.7	618449.0	15" PALM	188	1598282.4	617895.2	12" PALM	278	1598062.3	618215.3	13" PINE	368	1598188.5	618283.0	11" BLACK CHERRY	458	1598217.5	617504.2	14" PINE	548	1598629.7	617738.1	13" OAK	638	1598639.2	617797.2	14" PALM
9	1598311.1	618026.3	16" PALM	99	1598359.7	618446.0	17" SPLIT OAK	189	1598302.1	617953.0	10" OAK	279	1598071.7	618197.6	6" OAK	369	1598181.5	618281.4	8" CAMPHOR	459	1598410.8	617958.9	10" PINE	549	1598629.7	617743.2	13" OAK	639	1598677.4	617805.0	16" PINE
10	1598315.5	618040.7	8" OAK	100	1598364.4	618447.1	7" OAK	190	1598186.9	618024.9	13" OAK	280	1598186.9	618024.9	14" PALM	370	1598182.8	618268.0	14" PALM	460	1598403.0	617959.2	11" OAK	550	1598640.0	617733.3	13" OAK	640	1598677.4	617805.0	7" OAK
11	1599168.5	617423.4	8" PINE	101	1598380.0	618444.3	9" OAK	191	1598187.8	618028.2	10" OAK	281	1598040.6	618204.5	7" OAK	371	1598190.2	618259.8	14" PALM	461	1598389.8	617956.3	10" SPLIT OAK	551	1598550.0	617766.4	18" SPLIT OAK	641	1598685.5	617814.5	11" OAK
12	1599165.0	617435.4	10" OAK	102	1598377.1	618432.6	10" OAK	192	1598188.4	618033.4	10" OAK	282	1598037.1	618205.5	18" PALM	372	1598203.5	618270.6	8" BLACK CHERRY	462	1598386.1	617953.6	10" OAK	552	1598548.2	617805.4	14" PALM	642	1598698.5	617803.1	7" OAK
13	1599080.6	617419.9	15" OAK	103	1598375.5	618429.6	10" OAK	193	1598193.8	618033.1	10" OAK	283	1598039.4	618203.9	7" OAK	373	1598207.8	618273.7	36" SPLIT OAK	463	1598384.6	617954.2	6" OAK	553	1598565.9	617812.5	14" PALM	643	1598699.3	617799.5	14" PALM
14	1599222.4	617458.3	13" OAK	104	1598375.6	618424.6	12" SPLIT OAK	194	1598205.3	618073.0	15" OAK	284	1598110.0	618206.2	14" OAK	374	1598190.0	618349.8	19" SPLIT OAK	464	1598430.6	617958.6	10" OAK	554	1598585.5	617798.0	10" PINE	644	1598709.3	617794.4	6" OAK
15	1599072.5	617424.4	7" PINE	105	1598379.0	618463.0	15" PALM	195	1598205.9	618077.6	18" OAK	285	1597987.9	618209.5	10" BLACK CHERRY	375	1598207.3	618352.8	10" OAK	465	1598432.6	617958.7	10" PINE	555	1598591.7	617826.8	10" PINE	645	1598709.5	617800.7	14" PALM
16	1599220.8	617468.2	7" PINE	106	1598360.4	618467.6	14" PALM	196	1598202.4	618075.9	18" OAK	286	1597988.7	618219.8	9" PINE	376	1598206.7	618357.6	10" BLACK CHERRY	466	1598440.2	617958.2	12" SPLIT OAK	556	1598628.7	617840.4	12" SPLIT OAK	646	1598717.7	617813.7	7" OAK
17	1599079.2	617445.8	15" PINE	107	1598342.4	618465.5	7" OAK	197	1598230.7	618097.0	30" OAK	287	1598008.8	618162.3	30" OAK	377	1598203.3	618354.5	12" OAK	467	1598438.7	617958.0	14" PINE	557	1598631.6	617839.5	10" OAK	647	1598725.4	617818.1	14" PALM
18	1599081.4	617451.4	12" PINE	108	1598339.6	618467.0	7" OAK	198	1598204.3	618092.3	13" BLACK CHERRY	288	1598008.3	618177.6	24" OAK	378	1598209.7	618367.6	12" OAK	468	1598479.2	617958.4	14" SPLIT OAK	558	1598621.5	617827.0	16" PALM	648	1598729.6	617809.5	7" OAK
19	1599071.9	617451.9	12" OAK	109	1598342.7	618469.2	7" OAK	199	1598190.1	618093.8	15" PINE	289	1598008.0	618181.4	24" OAK	379	1598262.2	618350.7	8" BLACK CHERRY	469	1598490.9	617958.1	12" OAK	559	1598619.4	617815.4	10" OAK	649	1598731.7	617805.3	13" BLACK CHERRY
20	1599178.2	617441.6	12" PINE	110	1598338.8	618469.2	7" OAK	200	1598155.6	618075.5	15" BLACK CHERRY	290	1598011.4	618183.1	20" OAK	380	1598232.5	618355.0	6" OAK	470	1598483.7	617944.1	10" PINE	560	1598481.2	617702.4	10" OAK	650	1598738.8	617816.4	7" OAK
21	1599095.1	617466.2	14" PINE	111	1598332.1	618473.4	8" OAK	201	1598152.5	618103.8	15" PALM	291	1598036.3	618178.7	14" PALM	381	1598236.0	618370.2	8" BLACK CHERRY	471	1598476.7	617925.8	13" OAK	561	1598483.5	617691.1	6" OAK	651	1598749.2	617808.8	9" OAK
22	1599102.7	617476.8	9" PINE	112	1598339.4	618478.4	10" SPLIT OAK	202	1598136.4	618099.7	18" PALM	292	1598041.2	618167.4	6" OAK	382	1598231.5	618393.0	14" PALM	472	1598477.9	617917.2	8" OAK	562	1598481.5	617691.3	7" OAK	652	1598735.2	617805.8	8" OAK
23	1599165.4	617445.6	9" OAK	113	1598344.6	618482.9	14" PALM	203	1598130.5	618101.4	15" PALM	293	1598052.0	618166.5	6" OAK	383	1598214.2	618396.0	18" OAK	473	1598497.8	617957.5	6" OAK	563	1598475.5	617691.7	10" BLACK CHERRY	653	1598736.7	617802.1	6" OAK
24	1599114.6	617445.4	8" PINE	114	1598356.0	618507.5	12" OAK	204	1598121.2	618106.5	15" PALM	294	1597960.0	618167.7	14" PALM	384	1598209.7	618396.1	13" PALM	474	1598502.4	617943.6	6" BLACK CHERRY	564	1598475.2	617687.6	9" OAK	654	1598730.9	617778.4	14" PALM
25	1599174.1	617451.6	8" OAK	115	1598359.1	618508.3	9" OAK	205	1598128.5	618121.0	12" PINE	295	1598128.5	618121.0	14" PALM	385	1598253.5	618390.9	10" BLACK CHERRY	475	1598530.0	617896.7	14" PALM	565	1598470.9	617690.7	8" OAK	655	1598709.0	617772.8	7" OAK
26	1599247.0	617533.0	8" PINE	116	1598377.8	618516.7	13" OAK	206	1598105.8	618118.7	8" SYCAMORE	296	1597915.1	618209.2	14" OAK	386	1598260.7	618390.0	20" OAK	476	1598520.3	617875.2	14" PALM	566	1598464.2	617682.9	7" OAK	656	1598743.5	617766.6	6" OAK
27	1599245.8	617519.7	10" PINE	117	1598383.8	618516.7	10" OAK	207	1598090.0	618137.2	12" BLACK CHERRY	297	1597927.0	618197.5	14" PALM	387	1598246.5	618392.0	6" OAK	477	1598472.0	617858.0	14" PALM	567	1598448.4	617685.2	7" OAK	657	1598741.1	617763.5	6" OAK
28	1599255.0	617523.6	12" PINE	118	1598377.8	618528.6	13" OAK	208	1598092.7	618103.5	17" PALM	298	1597912.2	618185.8	12" PALM	388	1598284.1	618378.6	12" OAK	478	1598459.8	617874.8	10" SPLIT OAK	568	1598455.8	617676.1	6" BLACK CHERRY	658	1598742.8	617761.6	8" OAK
29	1599281.5	617553.9	6" OAK	119	1598366.4	618518.0	16" OAK	209	1598101.5	618103.5	8" PINE	299	1597900.5	618160.2	8" OAK	389	1598285.5	618375.5	11" OAK	479	1598438.2	617903.6	14" SPLIT OAK	569	1598447.2	617670.9	6" BLACK CHERRY	659	1598751.0	617762.4	8" OAK
30	1599254.3	617532.7	9" PINE	120	1598752.3	617388.5	26" OAK	210	1598116.4	618076.1	22" OAK	300	1597885.0	618157.7	40" SPLIT OAK	390	1598286.6	618372.4	18" OAK	480	1598452.8	617822.0	9" BLACK CHERRY	570	1598427.2	617674.8	6" BLACK CHERRY	660	1598752.5	617764.3	8" OAK
31	1599296.6	617545.5	10" PINE	121	1598755.9	617396.1	18" OAK	211	1598138.4	618049.7	15" PALM	301	1597933.3	618152.6	11" OAK	391	1598282.2	618373.5	8" OAK	481	1598460.2	617801.7	13" PINE	571	1598426.6	617673.0	6" BLACK CHERRY	661	1598758.1	617769.0	12" BLACK CHERRY
32	1599269.1	617536.6	10" OAK	122	1598777.9	617445.2	8" OAK	212	1598133.3	618038.7	8" PINE	302	1597933.3	618155.5	8" BLACK CHERRY	392	1598287.2	618370.8	37" OAK	482	1598405.7	617830.5	15" PALM	572	1598431.4	617649.0	40" OAK	662	1598757.9	617758.1	11" OAK
33	1599293.5	617554.4	6" PINE	123	1598784.9	617446.7	9" OAK	213	1598148.1	618032.3	8" OAK	303	1597928.1	618150.8	8" PINE	393	1598236.8	618424.2	17" BLACK CHERRY	483	1598408.1	617837.9	14" BLACK CHERRY	573	1598445.8	617649.5	10" BLACK CHERRY	663	1598745.3	617751.4	7" OAK
34	1599269.1	617530.5	9" PINE	124	1598788.9	617448.5	10" PINE																								

TREE ID	NORTHING	EASTING	DESCRIPTION	TREE ID	NORTHING	EASTING	DESCRIPTION	TREE ID	NORTHING	EASTING	DESCRIPTION	TREE ID	NORTHING	EASTING	DESCRIPTION	TREE ID	NORTHING	EASTING	DESCRIPTION	TREE ID	NORTHING	EASTING	DESCRIPTION								
721	1598749.9	617509.6	7" BLACK CHERRY	811	1598617.0	617487.9	14" PALM	901	1598208.5	617503.0	14" OAK	991	1597808.3	619095.9	14" PALM	1081	1597934.1	618524.6	8" OAK	1171	1598358.5	619091.7	14" PINE	1261	1598927.4	617344.6	9" OAK	1351	1598264.4	617352.1	8" PINE
722	1598746.9	617509.6	7" BLACK CHERRY	812	1598577.3	617467.3	12" OAK	902	1597921.8	617913.1	14" PALM	992	1597804.2	619092.8	14" PALM	1082	1597905.5	618461.4	13" PINE	1172	1598327.0	619104.6	6" OAK	1262	1598931.7	617350.3	8" OAK	1352	1598261.4	617349.4	10" PINE
723	1598699.5	617569.1	14" PINE	813	1598571.6	617478.8	10" OAK	903	1597941.6	617891.5	30" OAK	993	1597801.9	619091.0	8" OAK	1083	1597888.5	618496.3	18" QUAD OAK	1173	1598329.9	619107.9	6" PINE	1263	1598933.7	617354.9	8" OAK	1353	1598256.5	617354.9	10" PINE
724	1598678.4	617553.9	12" PINE	814	1598566.7	617475.1	10" OAK	904	1597913.6	617849.0	8" PINE	994	1597729.2	619108.3	14" PINE	1084	1597860.2	618506.4	15" OAK	1174	1598318.8	619128.0	24" SPLIT OAK	1264	1598902.8	617324.3	7" OAK	1354	1598273.7	617366.9	9" PINE
725	1598676.8	617564.2	14" PALM	815	1598554.3	617540.1	9" PINE	905	1597937.7	617864.1	14" PALM	995	1597749.1	619118.9	7" OAK	1085	1597833.8	618511.4	12" PINE	1175	1598315.5	619157.4	20" SPLIT OAK	1265	1598999.3	617302.6	7" PINE	1355	1598249.9	617355.2	8" PINE
726	1598661.0	617585.1	7" OAK	816	1598548.3	617467.9	11" OAK	906	1597932.8	617906.4	6" OAK	996	1597749.1	619124.0	11" OAK	1086	1597821.9	618503.3	13" PALM	1176	1598310.7	619171.3	14" OAK	1266	1598977.1	617341.3	29" OAK	1356	1598249.9	617360.9	6" PINE
727	1598659.6	617591.1	7" OAK	817	1598542.5	617477.5	10" OAK	907	1597936.5	617901.0	6" OAK	997	1597759.1	619132.0	8" OAK	1087	1597763.3	618543.6	18" SPLIT OAK	1177	1598373.2	619211.4	15" SPLIT OAK	1267	1598765.6	617361.0	14" PINE	1357	1599118.8	617262.6	7" OAK
728	1598653.0	617594.3	15" PALM	818	1598536.2	617471.1	10" OAK	908	1597946.4	617883.5	18" OAK	998	1597754.8	619141.5	6" OAK	1088	1597814.5	618533.9	14" OAK	1178	1598287.4	619098.4	14" PALM	1268	1598761.5	617307.6	10" PINE	1358	1599116.5	617273.2	14" BLACK CHERRY
729	1598649.4	617596.3	13" BLACK CHERRY	819	1598491.4	617476.9	14" PINE	909	1597949.0	617855.9	14" OAK	999	1597754.6	619182.4	6" OAK	1089	1597904.6	618545.1	16" BLACK CHERRY	1179	1598264.1	619083.9	14" PALM	1269	1598781.2	617308.5	9" PINE	1359	1599201.2	617291.8	8" OAK
730	1598647.4	617592.3	16" BLACK CHERRY	820	1598481.2	617474.1	10" PINE	910	1597953.3	617847.3	14" PALM	1000	1597739.1	619170.3	6" OAK	1090	1598114.6	618612.9	8" BLACK CHERRY	1180	1598234.6	619035.0	8" OAK	1270	1598780.8	617290.8	9" PINE	1360	1599217.7	617292.9	8" OAK
731	1598643.8	617594.2	16" PALM	821	1598464.0	617500.9	10" PINE	911	1597956.8	617865.5	12" OAK	1001	1597801.7	619245.2	6" BLACK CHERRY	1091	1598092.7	618432.6	20" SPLIT OAK	1181	1598223.3	619035.0	14" PALM	1271	1598731.0	617319.4	9" OAK	1361	1599220.2	617298.8	6" OAK
732	1598643.6	617605.3	7" OAK	822	1598437.7	617472.9	14" OAK	912	1597961.1	617838.1	6" PINE	1002	1597803.2	619231.7	6" OAK	1092	1598029.7	618463.8	11" PINE	1182	1598242.7	618996.9	12" OAK	1272	1598725.0	617317.9	13" PALM	1362	1599228.6	617300.1	6" OAK
733	1598626.2	617598.6	12" PINE	823	1598426.9	617495.3	16" SPLIT OAK	913	1597963.7	617843.1	14" PINE	1003	1597799.7	619230.3	14" PALM	1093	1598087.9	618429.1	16" OAK	1183	1598242.7	618994.6	24" SPLIT OAK	1273	1598714.6	617336.2	13" PALM	1363	1599234.9	617298.8	6" OAK
734	1598626.8	617607.0	8" PINE	824	1598427.0	617457.2	18" SPLIT OAK	914	1597995.4	617822.8	14" PINE	1004	1597827.8	619224.7	14" PALM	1094	1598083.1	618435.7	14" SPLIT OAK	1184	1598242.8	618990.1	16" OAK	1274	1598718.3	617342.1	8" OAK	1364	1599220.4	617304.8	8" OAK
735	1598620.3	617610.8	6" PINE	825	1598419.7	617487.7	11" OAK	915	1597998.2	617819.5	14" PINE	1005	1597827.8	619228.6	14" PALM	1095	1598049.9	618441.9	20" OAK	1185	1598234.7	618926.5	19" OAK	1275	1598711.7	617342.6	12" OAK	1365	1599216.3	617309.7	6" OAK
736	1598630.9	617620.0	6" PINE	826	1598382.5	617484.4	13" OAK	916	1597747.9	617452.9	10" PINE	1006	1597838.2	619225.4	14" PALM	1096	1598026.9	618427.6	14" PALM	1186	1598234.7	618972.2	13" PALM	1276	1598682.7	617320.8	10" PINE	1366	1599211.2	617317.7	8" OAK
737	1598630.9	617625.7	6" PINE	827	1598378.3	617484.7	8" OAK	917	1597750.2	617453.8	6" PINE	1007	1597861.8	619186.5	9" OAK	1097	1598028.8	618413.3	14" OAK	1187	1598221.3	618969.7	10" OAK	1277	1598674.9	617323.7	12" PALM	1367	1599194.8	617302.7	12" OAK
738	1598647.1	617639.7	6" OAK	828	1598373.3	617502.6	11" OAK	918	1597730.2	617464.4	6" OAK	1008	1597871.0	619226.2	6" BLACK CHERRY	1098	1598032.0	618409.1	11" OAK	1188	1598164.6	618983.9	12" QUAD OAK	1278	1598666.1	617323.5	13" PALM	1368	1599191.6	617303.6	15" OAK
739	1598649.6	617643.1	9" BLACK CHERRY	829	1598335.2	617571.3	11" OAK	919	1597740.0	617482.8	11" PINE	1009	1597887.1	619165.5	7" PINE	1099	1598018.5	618389.0	8" PINE	1189	1598188.1	618996.1	16" OAK	1279	1598687.5	617356.9	8" OAK	1369	1599149.6	617340.2	13" PINE
740	1598648.4	617646.2	10" SPLIT OAK	830	1598330.3	617588.0	11" OAK	920	1597727.8	617500.4	11" PINE	1010	1597850.8	619167.1	14" PALM	1100	1598031.8	618371.5	10" OAK	1190	1598186.1	619009.7	16" OAK	1280	1598687.8	617387.7	11" OAK	1370	1599150.9	617341.5	6" OAK
741	1598659.9	617649.5	10" OAK	831	1598329.4	617592.9	7" OAK	921	1597725.6	617513.6	8" PINE	1011	1597902.1	619189.8	14" PALM	1101	1598017.1	618360.4	6" OAK	1191	1598185.7	619004.9	8" OAK	1281	1598624.1	617375.8	12" PALM	1371	1599145.8	617340.6	7" OAK
742	1598668.3	617637.8	12" BLACK CHERRY	832	1598254.9	617678.4	10" OAK	922	1597729.4	617534.4	8" PINE	1012	1597925.7	619224.7	22" OAK	1102	1597993.1	618356.8	14" PALM	1192	1598140.6	619034.8	14" PALM	1282	1598615.6	617373.6	15" PALM	1372	1599148.2	617363.6	11" PINE
743	1598665.7	617635.0	7" OAK	833	1598254.7	617684.4	10" OAK	923	1597729.2	617555.7	8" PINE	1013	1597954.2	619228.8	29" OAK	1103	1597936.9	618360.1	10" PINE	1193	1598160.8	619044.3	32" SPLIT OAK	1283	1598617.8	617380.5	13" OAK	1373	1599178.4	617339.5	9" OAK
744	1598669.2	617630.7	6" OAK	834	1598266.0	617681.8	8" OAK	924	1597721.1	617555.2	10" PINE	1014	1598002.1	619188.3	6" OAK	1104	1597934.4	618344.8	12" OAK	1194	1598113.7	618996.2	8" OAK	1284	1598629.6	617341.4	9" PINE	1374	1599192.2	617347.9	15" OAK
745	1598674.1	617630.3	6" OAK	835	1598268.3	617680.4	8" OAK	925	1597730.1	617557.5	8" PINE	1015	1597974.3	619189.9	14" SPLIT OAK	1105	1597931.1	618346.4	12" BLACK CHERRY	1195	1598130.7	618957.5	10" SPLIT OAK	1285	1598655.8	617289.4	9" PINE	1375	1599208.2	617338.3	9" OAK
746	1598680.2	617644.4	7" OAK	836	1598245.3	617726.5	6" OAK	926	1597721.8	617560.0	8" PINE	1016	1597974.3	619157.4	9" PINE	1106	1597919.5	618349.9	14" PALM	1196	1598160.0	618950.6	8" OAK	1286	1598645.7	617303.3	12" PINE	1376	1599154.5	617303.8	10" PINE
747	1598690.3	617652.1	8" PINE	837	1598273.7	617731.3	6" OAK	927	1597727.3	617569.4	8" PINE	1017	1597960.5	619176.5	26" OAK	1107	1597981.4	618296.0	16" OAK	1197	1598205.3	618914.1	18" OAK	1287	1598625.9	617299.2	10" SPLIT OAK	1377	1599133.9	617404.8	11" PINE
748	1598692.9	617654.8	12" PINE	838	1598269.1	617735.0	6" OAK	928	1597730.5	617577.6	11" PINE	1018	1597931.8	619062.1	6" PINE	1108	1597982.5	618290.8	24" SPLIT OAK	1198	1598218.2	618688.8	14" PALM	1288	1598690.8	617313.5	10" PINE	1378	1599215.1	617363.7	11" OAK
749	1598689.0	617662.1	13" PINE	839	1598258.1	617757.0	10" OAK	929	1597723.4	617589.3	15" PINE	1019	1597911.9	619114.0	28" SPLIT OAK	1109	1598009.3	618281.7	8" OAK	1199	1598231.7	618875.0	12" SPLIT OAK	1289	1598615.4	617293.4	12" OAK	1379	1599217.9	617372.3	11" OAK
750	1598700.1	617619.6	13" OAK	840	1598253.4	617389.7	11" PINE	930	1597726.6	617597.0	16" PINE	1020	1597956.1	619111.8	28" SPLIT OAK	1110	1597931.0	618271.5	14" PALM	1200	1598122.4	619102.8	14" SPLIT OAK	1290	1598696.8	617302.0	11" PINE	1380	1599199.3	617399.4	13" PINE
751	1598706.1	617635.3	8" OAK	841	1598521.1																										

TREE ID	NORTHING	EASTING	DESCRIPTION	TREE ID	NORTHING	EASTING	DESCRIPTION	TREE ID	NORTHING	EASTING	DESCRIPTION	TREE ID	NORTHING	EASTING	DESCRIPTION	TREE ID	NORTHING	EASTING	DESCRIPTION
1441	1597757.0	617399.9	18" OAK	1531	1597896.3	616924.9	8" OAK	1621	1598089.0	616992.2	6" OAK	1711	1599121.4	617302.5	11" OAK	1801	1599042.6	617557.3	13" PINE
1442	1597804.4	617292.1	18" SPLIT OAK	1532	1597861.6	616925.3	12" PINE	1622	1598110.1	617013.1	13" PINE	1712	1599132.9	617302.2	7" OAK	1802	1599040.4	617560.4	7" PINE
1443	1597799.4	617298.3	7" OAK	1533	1598000.5	616983.7	14" CAMPHOR	1623	1598112.5	617009.4	13" PINE	1713	1599134.6	617311.2	7" OAK	1803	1599033.6	617524.2	9" OAK
1444	1597778.7	617317.2	18" OAK	1534	1598002.2	616983.9	12" OAK	1624	1598125.2	617016.8	13" PINE	1714	1599135.9	617314.4	6" OAK	1804	1599038.6	617500.3	11" PINE
1445	1597778.1	617330.2	18" SPLIT OAK	1535	1597997.0	616993.1	15" OAK	1625	1598116.8	616983.5	12" PINE	1715	1599136.3	617324.2	11" OAK	1805	1599024.1	617485.5	6" PINE
1446	1597751.4	617344.2	18" PINE	1536	1597997.6	616997.8	9" OAK	1626	1598232.6	616973.2	13" PINE	1716	1599142.0	617331.1	11" PINE	1806	1599032.2	617469.8	6" PINE
1447	1597725.3	617353.2	19" OAK	1537	1597997.7	616999.7	6" OAK	1627	1598237.0	616972.4	12" PINE	1717	1599140.1	617342.6	11" PINE	1807	1599027.4	617463.3	7" PINE
1448	1597729.2	617325.8	9" PINE	1538	1597981.2	617000.6	11" OAK	1628	1598243.9	616980.1	12" PINE	1718	1599138.1	617345.3	7" OAK	1808	1599021.3	617401.3	9" PINE
1449	1597745.8	617306.5	11" PINE	1539	1597980.1	617002.2	18" OAK	1629	1598250.7	616986.7	18" PINE	1719	1599138.9	617353.0	9" PINE	1809	1599011.6	617437.2	9" PINE
1450	1597776.3	617291.4	11" PINE	1540	1597971.1	616985.1	15" OAK	1630	1598249.7	616973.3	10" OAK	1720	1599102.6	617348.2	10" PINE	1810	1599006.0	617464.7	12" PINE
1451	1597723.4	617289.3	11" OAK	1541	1597965.3	616981.3	13" BLACK CHERRY	1631	1598245.2	616961.0	20" PINE	1721	1599082.1	617339.3	6" OAK	1811	1599008.0	617460.2	7" OAK
1452	1597727.5	617248.7	14" OAK	1542	1597944.6	616985.7	16" OAK	1632	1598247.4	616958.6	10" BLACK CHERRY	1722	1599080.1	617337.0	6" OAK	1812	1598994.6	617482.0	10" PINE
1453	1597723.6	617247.8	9" PINE	1543	1597938.7	616991.1	16" OAK	1633	1598261.5	617039.0	10" PINE	1723	1599086.1	617356.9	13" OAK	1813	1599004.4	617490.1	10" PINE
1454	1597713.6	617245.7	9" OAK	1544	1597930.5	616980.4	18" OAK	1634	1598287.7	617051.9	14" PALM	1724	1599083.9	617358.8	9" OAK	1814	1599007.0	617495.0	8" PINE
1455	1597720.7	617239.1	18" OAK	1545	1597915.6	616974.1	28" OAK	1635	1598309.3	617065.0	10" PINE	1725	1599089.0	617361.7	6" OAK	1815	1598999.3	617501.4	12" PINE
1456	1597722.7	617228.3	14" OAK	1546	1597918.5	616956.7	16" OAK	1636	1598315.0	617051.1	10" PINE	1726	1599100.8	617381.5	10" OAK	1816	1598962.0	617699.9	10" PINE
1457	1597737.6	617229.9	8" BLACK CHERRY	1547	1597940.2	616951.3	20" OAK	1637	1598318.5	617050.4	14" PALM	1727	1599115.3	617374.5	8" PINE	1817	1598958.9	617726.6	8" PINE
1458	1597750.8	617225.6	19" SPLIT OAK	1548	1597921.3	617010.9	18" PINE	1638	1598323.8	617050.5	10" PINE	1728	1599136.3	617380.2	6" OAK	1818	1598957.8	617745.2	8" OAK
1459	1597720.8	617196.7	7" OAK	1549	1597918.8	617013.4	8" OAK	1639	1598336.4	616984.8	12" PINE	1729	1599137.8	617392.3	7" OAK	1819	1598955.0	617746.0	9" PINE
1460	1597719.2	617198.6	7" OAK	1550	1597908.7	617013.8	12" PINE	1640	1598340.5	616984.1	16" PINE	1730	1599131.7	617403.0	13" PINE	1820	1598954.6	617742.3	14" PALM
1461	1597785.4	617229.2	20" OAK	1551	1597907.3	617025.1	11" OAK	1641	1598312.4	616980.7	15" PINE	1731	1599126.6	617398.0	6" OAK	1821	1598961.5	617757.8	12" PALM
1462	1597787.4	617235.9	20" PINE	1552	1597905.4	617023.4	7" OAK	1642	1598320.9	616981.1	17" PINE	1732	1599093.2	617392.5	11" OAK	1822	1598973.0	617788.3	6" PINE
1463	1597799.9	617233.2	16" PINE	1553	1597903.7	617021.4	11" OAK	1643	1598355.2	617005.1	15" PINE	1733	1599088.2	617379.8	8" OAK	1823	1598924.4	617776.1	16" PALM
1464	1597799.6	617227.0	31" OAK	1554	1597892.7	616999.9	13" OAK	1644	1598361.2	617016.9	14" PINE	1734	1599069.4	617371.4	13" PALM	1824	1598902.1	617785.8	13" PALM
1465	1597811.5	617235.9	11" PINE	1555	1597884.7	617005.0	13" BLACK CHERRY	1645	1598374.4	617007.4	6" PINE	1735	1599053.9	617375.1	12" OAK	1825	1598988.5	617790.3	6" OAK
1466	1597822.5	617213.2	9" PINE	1556	1597891.1	616984.6	20" OAK	1646	1598381.1	617016.9	9" PINE	1736	1599059.2	617328.7	9" OAK	1826	1598880.6	617775.7	6" OAK
1467	1597834.6	617227.9	6" PINE	1557	1597864.4	616977.5	12" OAK	1647	1598389.2	617020.5	9" PINE	1737	1599050.0	617317.8	10" OAK	1827	1598876.7	617774.9	9" OAK
1468	1597812.5	617193.8	10" PINE	1558	1597864.1	616981.1	19" OAK	1648	1598387.0	617027.0	13" OAK	1738	1599054.1	617331.8	13" OAK	1828	1598878.0	617774.0	7" OAK
1469	1597724.1	617160.6	8" OAK	1559	1597862.6	616978.8	6" BLACK CHERRY	1649	1598392.2	617017.7	8" PINE	1739	1599040.9	617336.4	11" OAK	1829	1598876.7	617768.4	9" PINE
1470	1597717.8	617163.7	6" OAK	1560	1597859.6	616986.3	26" OAK	1650	1598397.3	617026.9	14" PINE	1740	1599032.3	617343.7	11" PINE	1830	1598879.2	617767.7	6" OAK
1471	1597704.5	617141.7	16" OAK	1561	1597845.0	616957.7	10" OAK	1651	1598394.5	617039.6	6" OAK	1741	1599022.9	617338.4	9" PINE	1831	1598880.0	617763.8	12" OAK
1472	1597724.6	617155.7	22" OAK	1562	1597840.7	616956.9	13" BLACK CHERRY	1652	1598401.0	617045.9	7" BLACK CHERRY	1742	1599026.4	617331.8	7" PINE	1832	1598883.4	617765.5	6" OAK
1473	1597749.3	617138.3	20" PINE	1563	1597844.9	616946.6	12" OAK	1653	1598406.3	617057.5	10" PINE	1743	1599016.9	617332.6	16" PALM	1833	1598883.3	617752.8	11" PINE
1474	1597743.1	617114.8	20" PINE	1564	1597837.9	616949.0	15" OAK	1654	1598409.2	617049.3	21" OAK	1744	1599019.9	617361.7	6" PINE	1834	1598855.9	617760.8	13" OAK
1475	1597725.8	617130.1	7" BLACK CHERRY	1565	1597835.5	616951.3	9" BLACK CHERRY	1655	1598410.5	617029.1	7" OAK	1745	1599006.2	617359.2	15" PINE	1835	1598835.2	617748.1	8" OAK
1476	1597721.2	617114.9	6" OAK	1566	1597823.1	616985.0	9" BLACK CHERRY	1656	1598429.5	617058.3	16" PINE	1746	1599005.6	617361.2	7" OAK	1836	1598821.5	617786.2	12" BLACK CHERRY
1477	1597715.9	617088.1	7" PINE	1567	1597823.8	616981.7	6" PINE	1657	1598434.6	617031.8	12" PINE	1747	1599001.1	617380.3	10" PINE	1837	1598819.2	617795.9	10" PINE
1478	1597735.1	617110.0	7" OAK	1568	1597832.6	616995.3	13" OAK	1658	1598426.2	617017.3	11" PINE	1748	1598999.2	617387.6	11" PINE	1838	1598854.3	617784.5	9" OAK
1479	1597740.8	617115.6	16" PINE	1569	1597817.5	617005.2	12" OAK	1659	1598450.9	617040.5	12" PINE	1749	1599005.1	617393.3	9" OAK	1839	1598854.0	617786.5	7" OAK
1480	1597887.8	617051.6	16" PALM	1570	1597704.5	616770.7	11" PINE	1660	1598457.0	617038.6	12" OAK	1750	1599001.3	617396.2	10" PINE	1840	1598879.0	617800.5	7" OAK
1481	1597896.9	617038.6	10" OAK	1571	1597700.8	616770.7	8" OAK	1661	1598451.1	617056.0	10" PINE	1751	1599044.4	617381.2	10" PALM	1841	1598880.8	617799.4	6" OAK
1482	1597879.8	617024.6	13" OAK	1572	1597705.8	616793.7	14" PINE	1662	1598465.5	617051.2	12" PINE	1752	1599042.7	617379.4	14" PALM	1842	1598878.2	617796.5	7" OAK
1483	1597766.7	617051.8	15" BLACK CHERRY	1573	1597711.6	616801.1	10" PINE	1663	1598463.5	617028.9	6" PINE	1753	1599049.2	617383.4	11" PINE	1843	1598876.5	617799.5	7" SPLIT OAK
1484	1597771.1	617056.9	10" BLACK CHERRY	1574	1597722.4	616804.3	10" PINE	1664	1598474.6	617037.0	9" PINE	1754	1599046.0	617388.1	12" PALM	1844	1598876.1	617795.6	12" PALM
1485	1597772.0	617061.9	12" OAK	1575	1597740.3	616812.3	16" PINE	1665	1598473.8	617058.1	14" PINE	1755	1599045.9	617391.1	12" PALM	1845	1598874.2	617792.7	7" OAK
1486	1597771.9	617067.8	14" PALM	1576	1597719.6	616816.0	9" PINE	1666	1598499.0	617074.3	8" PINE	1756	1599036.5	617395.8	12" PINE	1846	1598835.3	617807.2	12" PALM
1487	1597752.4	617061.8	14" PALM	1577	1597713.7	616816.6	13" PINE	1667	1598517.4	617071.6	16" PINE	1757	1599029.7	617410.0	12" PALM	1847	1598838.9	617810.2	14" PALM
1488	1597746.0	617059.0	9" CAMPHOR	1578	1597711.7	616815.7	13" PINE	1668	1598595.0	617266.9	12" PINE	1758	1599027.4	617433.3	12" PINE	1848	1598843.8	617809.7	7" OAK
1489	1597749.6	617049.2	10" OAK	1579	1597705.2	616826.1	10" PINE	1669	1599001.4	617234.5	17" PINE	1759	1599027.7	617423.4	13" PINE	1849	1598886.5	617806.4	7" OAK
1490	1597757.0	617041.0	14" PALM	1580	1597711.5	616834.8	14" SPLIT OAK	1670	1598993.7	617216.5	12" PINE	1760	1599046.8	617430.2	12" OAK	1850	1599020.5	617857.4	12" PINE
1491	1597802.0	616984.9	6" PINE	1581	1597762.8	616805.0	10" OAK	1671	1598984.9	617206.2	13" PINE	1761	1599076.4	617417.9	14" OAK	1851	1599021.4	617844.8	13" OAK
1492	1597799.4	616943.4	13" PINE	1582	1597768.6	616806.9	13" OAK	1672	1598923.2	617291.2	10" PINE	1762	1599105.9	617413.5	9" PINE	1852	1599013.7	617836.6	7" OAK
1493	1597796.2	616945.0																	

TREE ID	NORTHING	EASTING	DESCRIPTION	TREE ID	NORTHING	EASTING	DESCRIPTION	TREE ID	NORTHING	EASTING	DESCRIPTION	TREE ID	NORTHING	EASTING	DESCRIPTION	TREE ID	NORTHING	EASTING	DESCRIPTION
1891	1599103.7	617628.4	13" PINE	1981	1599304.0	617728.4	10" PINE	2071	1599209.3	617942.0	9" PINE	2161	1598791.0	617169.3	7" PINE	2251	1599103.0	617235.5	6" OAK
1892	1599103.6	617638.0	8" OAK	1982	1599305.8	617710.4	8" PINE	2072	1599213.0	617918.9	6" OAK	2162	1598775.6	617167.3	19" PINE	2252	1599094.3	617241.8	10" OAK
1893	1599111.1	617649.6	11" PINE	1983	1599291.6	617687.4	17" PINE	2073	1599191.3	617896.4	10" PINE	2163	1598780.7	617146.3	21" PINE	2253	1599330.5	617260.3	10" OAK
1894	1599117.3	617623.3	6" OAK	1984	1599299.4	617688.0	8" OAK	2074	1599189.5	617897.5	6" PINE	2164	1598788.7	617137.9	17" BLACK CHERRY	2254	1599307.9	617264.8	8" OAK
1895	1599137.4	617621.9	8" OAK	1985	1599270.6	617672.3	8" OAK	2075	1599200.3	617878.6	10" OAK	2165	1598773.0	617135.0	16" PALM	2255	1599296.2	617272.5	10" PINE
1896	1599110.3	617591.4	6" OAK	1986	1599237.1	617723.9	8" MAGNOLIA	2076	1599216.8	617862.3	8" MAGNOLIA	2166	1598793.6	617138.9	12" OAK	2256	1599291.2	617276.0	7" OAK
1897	1599108.5	617588.9	6" OAK	1987	1599256.8	617782.7	9" PINE	2077	1599221.0	617856.4	12" OAK	2167	1598796.6	617139.4	10" OAK	2257	1599306.3	617284.3	7" PINE
1898	1599128.8	617581.0	7" OAK	1988	1599249.2	617788.3	13" PINE	2078	1599210.8	617845.4	7" PINE	2168	1598812.7	617164.3	10" OAK	2258	1599312.7	617289.5	6" OAK
1899	1599125.4	617584.8	7" OAK	1989	1599228.3	617808.5	13" PINE	2079	1599232.8	617852.3	14" PINE	2169	1598819.6	617174.8	9" BLACK CHERRY	2259	1599331.1	617269.5	12" OAK
1900	1599138.4	617580.9	6" OAK	1990	1599237.0	617811.8	16" PALM	2080	1599233.5	617865.8	7" PINE	2170	1598814.6	617163.5	10" BLACK CHERRY	2260	1599323.6	617325.6	10" OAK
1901	1599136.5	617573.2	8" OAK	1991	1599207.4	617778.7	10" OAK	2081	1599232.0	617875.9	11" PINE	2171	1598816.7	617159.9	10" BLACK CHERRY	2261	1599350.9	617317.0	11" PINE
1902	1599131.3	617551.9	11" OAK	1992	1599161.9	617767.5	12" PINE	2082	1599236.8	617884.6	13" PINE	2172	1598818.4	617162.4	14" OAK	2262	1599359.2	617298.8	6" OAK
1903	1599157.7	617563.0	11" OAK	1993	1599197.3	617741.5	11" OAK	2083	1599210.1	617895.4	8" OAK	2173	1598829.7	617166.7	13" PINE	2263	1599348.6	617268.2	11" PINE
1904	1599149.9	617589.8	12" PINE	1994	1599177.3	617733.0	9" PINE	2084	1599214.3	617902.6	12" OAK	2174	1598831.1	617167.0	7" OAK	2264	1599351.3	617265.5	10" OAK
1905	1599155.1	617594.0	6" PINE	1995	1598989.4	617946.1	20" OAK	2085	1599143.0	617900.4	15" SPLIT OAK	2175	1598831.8	617174.2	13" OAK				
1906	1599162.7	617592.2	13" PINE	1996	1598981.3	617935.0	6" OAK	2086	1599146.8	617897.7	6" OAK	2176	1598846.0	617170.2	14" PINE				
1907	1599141.6	617604.2	12" OAK	1997	1598979.4	617934.2	12" PALM	2087	1599142.0	617890.5	10" OAK	2177	1598854.1	617173.4	13" PINE				
1908	1599154.3	617641.1	8" OAK	1998	1598979.2	617937.7	14" PALM	2088	1599130.0	617896.3	17" OAK	2178	1598857.1	617173.9	11" PINE				
1909	1599187.3	617592.2	10" PINE	1999	1598957.8	617937.9	11" OAK	2089	1599135.4	617881.2	8" OAK	2179	1598756.5	617143.1	12" PINE				
1910	1599191.5	617586.7	8" PINE	2000	1598953.1	617927.7	9" OAK	2090	1599115.2	617871.2	18" SPLIT OAK	2180	1598746.6	617169.9	14" BLACK CHERRY				
1911	1599206.0	617594.1	9" PINE	2001	1598956.6	617922.3	9" OAK	2091	1599112.0	617876.7	9" OAK	2181	1598741.7	617166.6	14" PINE				
1912	1599218.8	617593.8	12" PINE	2002	1598944.9	617933.9	6" OAK	2092	1599139.2	617854.3	8" OAK	2182	1598728.7	617145.1	7" PINE				
1913	1599221.6	617593.1	10" PINE	2003	1598947.0	617934.4	6" OAK	2093	1599148.0	617853.5	20" PINE	2183	1598721.9	617176.9	20" PINE				
1914	1599208.6	617611.6	7" OAK	2004	1598923.1	617930.4	9" OAK	2094	1599154.7	617869.3	7" OAK	2184	1598721.7	617165.7	6" BLACK CHERRY				
1915	1599234.0	617575.9	14" PINE	2005	1598919.7	617927.3	10" OAK	2095	1599170.7	617871.2	6" OAK	2185	1598711.6	617177.8	18" PALM				
1916	1599245.8	617572.5	12" PINE	2006	1598915.5	617930.7	7" OAK	2096	1599173.6	617859.5	8" OAK	2186	1598709.6	617174.4	8" OAK				
1917	1599237.3	617564.1	12" PINE	2007	1598916.8	617922.0	7" OAK	2097	1599182.2	617848.9	19" PINE	2187	1598734.5	617123.0	7" PINE				
1918	1599240.3	617614.5	11" PINE	2008	1598902.0	617933.1	10" PALM	2098	1599187.1	617841.3	13" PINE	2188	1598724.5	617123.4	20" OAK				
1919	1599232.3	617621.0	7" PINE	2009	1598898.9	617933.6	14" PALM	2099	1599191.7	617839.3	8" PINE	2189	1598716.9	617121.9	11" OAK				
1920	1599226.0	617624.3	9" PINE	2010	1598908.1	617945.3	14" OAK	2100	1599192.2	617850.3	11" OAK	2190	1598714.3	617123.1	11" BLACK CHERRY				
1921	1599210.2	617631.9	12" PINE	2011	1598900.2	617945.6	12" OAK	2101	1599195.0	617865.2	6" PINE	2191	1598704.6	617146.2	6" OAK				
1922	1599201.6	617632.3	8" PINE	2012	1598901.0	617937.9	7" OAK	2102	1599231.1	617945.8	11" OAK	2192	1598694.8	617148.4	15" PINE				
1923	1599298.4	617626.5	18" PINE	2013	1598896.5	617938.4	9" OAK	2103	1599235.2	617950.8	12" PINE	2193	1598685.9	617145.2	15" PINE				
1924	1599270.4	617649.7	9" OAK	2014	1598885.9	617931.6	6" OAK	2104	1599244.7	617940.9	12" PINE	2194	1598684.8	617140.3	15" PALM				
1925	1599240.2	617619.7	10" SPLIT OAK	2015	1598868.0	617912.5	7" OAK	2105	1599257.1	617940.9	6" OAK	2195	1598695.5	617132.9	15" PALM				
1926	1599238.2	617651.0	13" OAK	2016	1598869.1	617910.2	16" PALM	2106	1599255.8	617925.4	12" OAK	2196	1598690.0	617131.0	10" PINE				
1927	1599240.1	617642.2	8" OAK	2017	1598881.7	617905.2	17" PALM	2107	1599259.3	617900.6	6" OAK	2197	1598700.2	617116.5	9" OAK				
1928	1599232.5	617635.2	8" OAK	2018	1598912.9	617896.0	15" PALM	2108	1599268.0	617933.4	20" PINE	2198	1598684.3	617111.1	7" PINE				
1929	1599220.9	617635.3	12" PINE	2019	1598933.7	617902.4	14" PALM	2109	1599284.6	617946.8	6" OAK	2199	1598666.0	617115.7	13" PINE				
1930	1599218.8	617648.1	10" PINE	2020	1598931.7	617903.9	13" PALM	2110	1599279.5	617944.3	6" OAK	2200	1598672.9	617117.1	13" PALM				
1931	1599191.7	617642.7	6" OAK	2021	1598912.5	617894.2	7" OAK	2111	1599289.5	617950.7	7" OAK	2201	1598676.5	617100.0	7" OAK				
1932	1599264.5	617663.9	11" OAK	2022	1598899.5	617886.6	12" PALM	2112	1599296.7	617949.4	8" OAK	2202	1598661.0	617093.6	7" OAK				
1933	1599250.4	617682.0	14" PINE	2023	1598898.0	617892.8	8" OAK	2113	1599288.8	617925.3	16" OAK	2203	1598583.7	617071.3	12" PINE				
1934	1599199.1	617667.0	9" PINE	2024	1598896.4	617891.3	8" OAK	2114	1599303.9	617923.9	18" PINE	2204	1598557.4	617090.2	17" PINE				
1935	1599219.7	617686.7	9" PINE	2025	1598881.0	617890.0	10" PALM	2115	1599309.6	617945.9	10" PINE	2205	1598540.9	617066.0	17" OAK				
1936	1599195.5	617678.0	9" PINE	2026	1598945.9	617893.4	13" PALM	2116	1599307.5	617948.7	7" OAK	2206	1598531.4	617087.3	17" PINE				
1937	1599221.5	617707.7	10" PINE	2027	1598943.4	617881.2	13" OAK	2117	1599325.3	617947.1	8" OAK	2207	1598525.9	617075.7	18" PINE				
1938	1599218.6	617721.1	12" PINE	2028	1598943.4	617881.2	9" OAK	2118	1599348.7	617952.1	14" PINE	2208	1598542.6	617058.1	16" PALM				
1939	1599162.3	617659.4	11" PINE	2029	1598947.7	617878.0	16" OAK	2119	1599357.3	617953.6	10" PINE	2209	1598794.7	617481.8	12" PINE				
1940	1599244.5	617741.3	8" PINE	2030	1598967.7	617865.2	7" OAK	2120	1599356.2	617955.3	6" PINE	2210	1598824.9	617481.9	6" OAK				
1941	1599226.1	617729.6	14" OAK	2031	1599002.5	617897.2	12" OAK	2121	1599356.2	617947.4	6" PINE	2211	1598817.6	617521.5	7" PINE				
1942	1599206.2	617700.7	12" PINE	2032	1598975.0	617840.7	18" PALM	2122	1599361.4	617954.1	11" PINE	2212	1598808.5	617519.3	14" BLACK CHERRY				
1943	1599179.0	617685.7	13" SPLIT OAK	2033	1598986.3	617856.4	18" PINE	2123	1599360.5	617955.9	13" PINE	2213	1598804.1	617519.0	14" BLACK CHERRY				
1944	1599165.6	617679.3	7" PINE	2034	1598975.5	617857.4	9" OAK	2124	1599362.2	617955.0	9" OAK	2214	1598848.8	617517.2	14" PALM				
1945	1599174.8	617733.3	9" PINE	2035	1599002.9	617868.8	15" PALM	2125	1599344.8	617940.1	11" OAK	2215	1598852.1	617509.3	12" OAK				
1946	1599160.3	617737.0	18" PINE	2036	1599001.5	617874.0	8" PINE	2126	1599340.5	617936.2	9" OAK	2216	1598848.0	617556.2	14" OAK				
1947	1599166.4	617744.9	8" PINE	2037	1599018.8	617888.7	7" PINE	2127	1599348.2	617933.5	7" OAK	2217	1598928.2	617728.1	14" PALM				
1948	1599160.0	617760.3	8" PINE	2038	1599022.5	617894.7	10" PINE	2128	1599355.1	617936.8	11" PINE	2218	1598928.7	6177					



**FIRE PROTECTION:**

1. FIRE PROTECTION TO BE PROVIDED BY TWO COMMUNITY 12,000 GALLON FIRE WATER STORAGE TANKS WITH STANDPIPE AND INDIVIDUAL HOME SPRINKLER SYSTEMS.
2. DESIGN SYSTEM TO MEET FIRE PROTECTION PER NFPA 1, CHAPTER 18 (2018 EDITION).
3. OPERATION, MAINTENANCE AND TESTING INSTRUCTIONS SHALL BE INCLUDED IN THE HOA COVENANTS THAT WILL BE REVIEWED AND APPROVED BY SEMINOLE COUNTY, AND RECORDED PRIOR TO FINAL ENGINEERING/PLAT APPROVAL.
4. A MAINTENANCE AGREEMENT WILL BE ESTABLISHED AND WILL MEET THE REQUIREMENTS OF THE FIRE CODE. THE AGREEMENT SHALL INCLUDE ONGOING MAINTENANCE OF THE INDIVIDUAL SUPPRESSION SYSTEMS AND WILL IDENTIFY WHO WILL BUILD, SERVICE AND MAINTAIN NECESSARY ACCESS ROADS TO THE SUPPLIES, THE REQUIRED QUANTITIES OF WATER, AND ITS ASSOCIATED SUPPRESSION SYSTEM.
5. ALL TECHNICAL DATA AND SUPPORTING DOCUMENTS VERIFYING COMPLIANCE WITH THE APPLICABLE REQUIREMENTS OF THE FIRE CODE SHALL BE PROVIDED PRIOR TO FINAL ENGINEERING APPROVAL.

**UTILITY PROVIDER:**

WATER DISTRIBUTION: INDIVIDUAL WELLS  
 SANITARY SEWER: INDIVIDUAL SEPTIC  
 IRRIGATION: IRRIGATION WELLS

Fire department access road shall have an unobstructed width of not less than 20 ft in accordance with the specifications of NFPA 1, Section 18.2.3.5.1.1. Please verify on the plans.

Access to a door: Fire department access roads shall extend to within 50 ft of at least one exterior door that can be opened from the outside and that provides access to the interior of the building per Section 18.2.3.2.1 NFPA 1

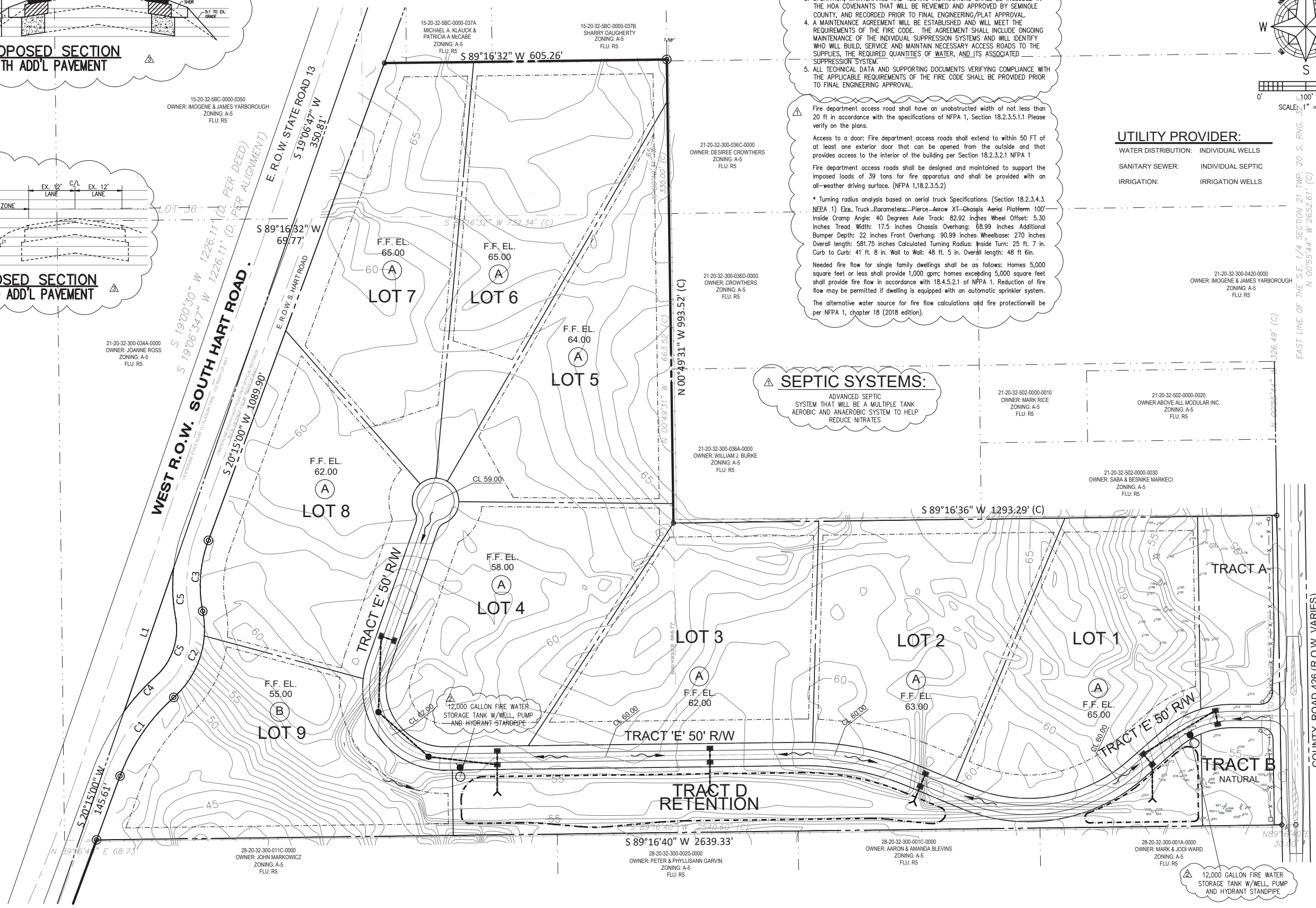
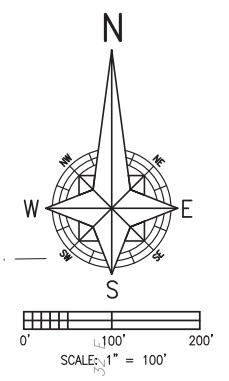
Fire department access roads shall be designed and maintained to support the imposed loads of 39 tons for fire apparatus and shall be provided with an all-weather driving surface. (NFPA 1, 18.2.3.5.2)

\* Turning radius analysis based on aerial truck Specifications. (Section 18.2.3.4.3. NEPA 1) Ele. Truck Parameters: Pierce-Arrow XT-Chassis Aerial Platform 100' Inside Cramp Angle: 40 Degrees Axle Track: 82.92 inches Wheel Offset: 5.30 inches Tread Width: 17.5 inches Chassis Overhang: 68.99 inches Additional Bumper Depth: 22 inches Front Overhang: 90.99 inches Wheelbase: 270 inches Overall length: 581.75 inches Calculated Turning Radius: Inside Turn: 25 ft. 7 in. Curb to Curb: 41 ft. 8 in. Wall to Wall: 48 ft. 5 in. Overall length: 48 ft 6in.

Needed fire flow for single family dwellings shall be as follows: Homes 5,000 square feet or less shall provide 1,000 gpm; homes exceeding 5,000 square feet shall provide fire flow in accordance with 18.4.5.2.1 of NFPA 1. Reduction of fire flow may be permitted if dwelling is equipped with an automatic sprinkler system. The alternative water source for fire flow calculations and fire protection will be per NFPA 1, chapter 18 (2018 edition).

**SEPTIC SYSTEMS:**

ADVANCED SEPTIC SYSTEM THAT WILL BE A MULTIPLE TANK AEROBIC AND ANAEROBIC SYSTEM TO HELP REDUCE NITRATES



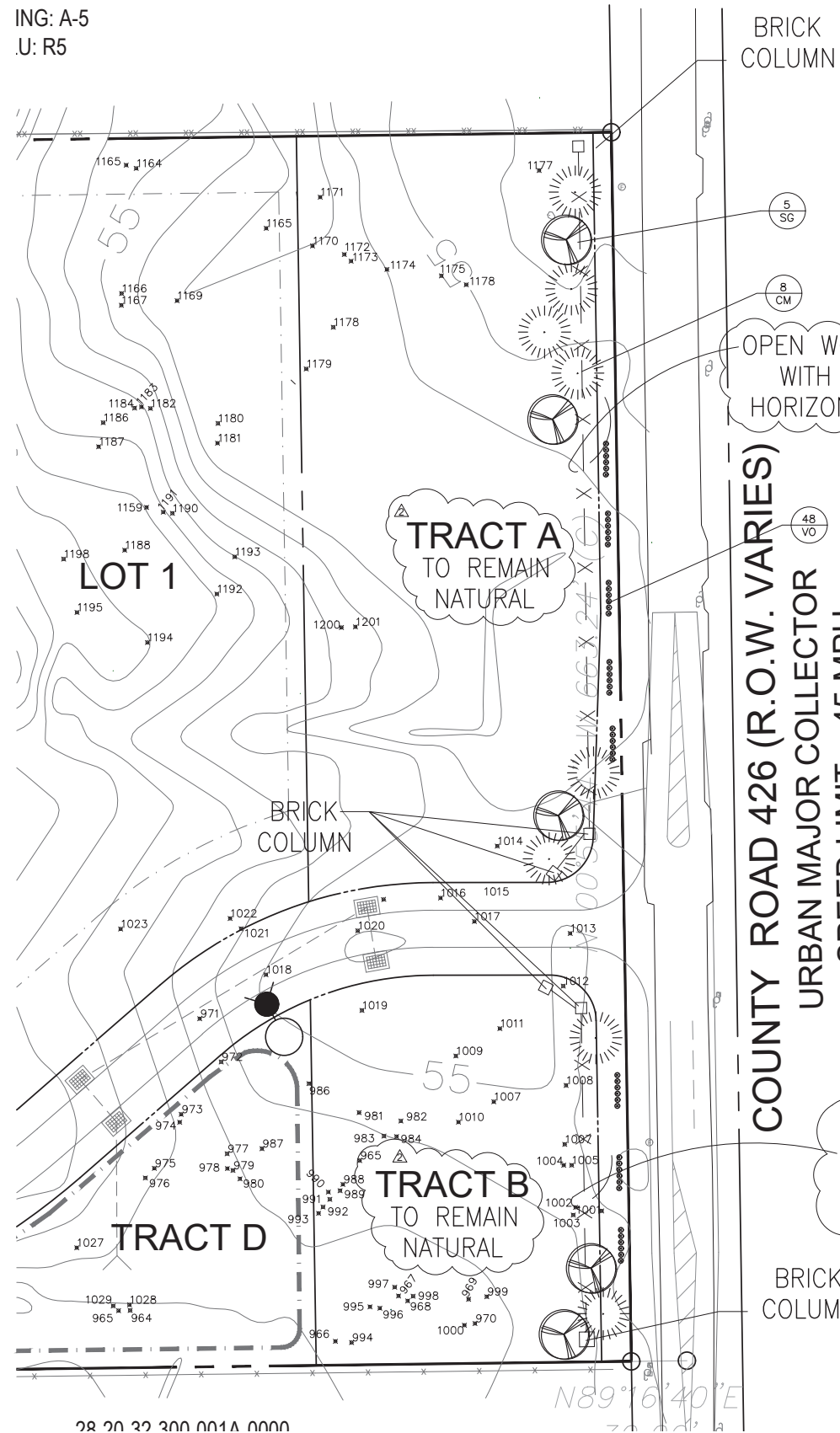
DATE:	NOVEMBER 30, 2023
SCALE:	1" = 100'
DESIGNED:	THS
DRAWN:	SCM
CHECKED BY:	THS
DATE:	2/13/24
DESIGNED:	THS
DRAWN:	THS
CHECKED BY:	THS
DATE:	2/13/24
DESIGNED:	THS
DRAWN:	THS
CHECKED BY:	THS
DATE:	2/13/24
DESIGNED:	THS
DRAWN:	THS
CHECKED BY:	THS

AMERICAN CIVIL ENGINEERING CO.  
 207 N. MOSS ROAD, SUITE 211 WINTER SPRINGS, FLORIDA 32788  
 PHONE: (407) 327-7700, FAX: (407) 327-0227  
 CERTIFICATE OF AUTHORIZATION NO.: 0006728

PRELIMINARY DRAINAGE & UTILITY PLAN  
**WILDERNESS ESTATES**  
 SEMINOLE COUNTY, FLORIDA



ING: A-5  
U: R5



BRICK COLUMN

OPEN WOOD FENCE WITH 2 OR 3 HORIZONTAL RAILS

TRACT A TO REMAIN NATURAL

LOT 1

BRICK COLUMN

TRACT B TO REMAIN NATURAL

TRACT D

BRICK COLUMN

COUNTY ROAD 426 (R.O.W. VARIES)  
URBAN MAJOR COLLECTOR  
SPEED LIMIT: 45 MPH

SHADE TREES

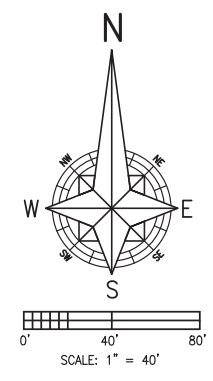
S.G.	CANOPY TREE	SWEETGUM	3-3.5" DBH, 10'-12' HEIGHT 5' SPREAD, CONTAINER GROWN
V.O.	SHRUB	SWEET VIBURNUM	5 GALLON, 36" x 36"
ORNAMENTAL TREES			
LI	LAGERSTROEMIA INDICA 'NATCHEZ'	GRAPE MYRTLE	25 GAL, 2.5" CAL, 7' TALL, MULTI-TRUNK, FULL

LANDSCAPING LEGEND

SYMBOL	QUANTITY	DESCRIPTION	KEY	COMMON NAME	BOTANICAL NAME	SPECIFICATIONS
	5	CANOPY TREE	S.G.	SWEETGUM	LIQUIDAMBAR STYRACIFLUA	3-3 1/2" DBH, 10'-12' HEIGHT 5' SPREAD, CONTAINER GROWN
	8	UNDRSTRY TREE	C.M.	GRAPE MYRTLE		2-2 1/2" DBH, 6' HEIGHT 3' SPREAD, CONTAINER GROWN
	48	SHRUB	V.O.	SWEET VIBURNUM	VIBURNUM SUSPENSUM	5 GALLON, 36"x36"



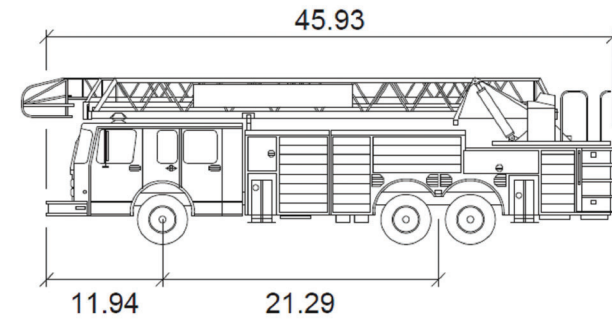
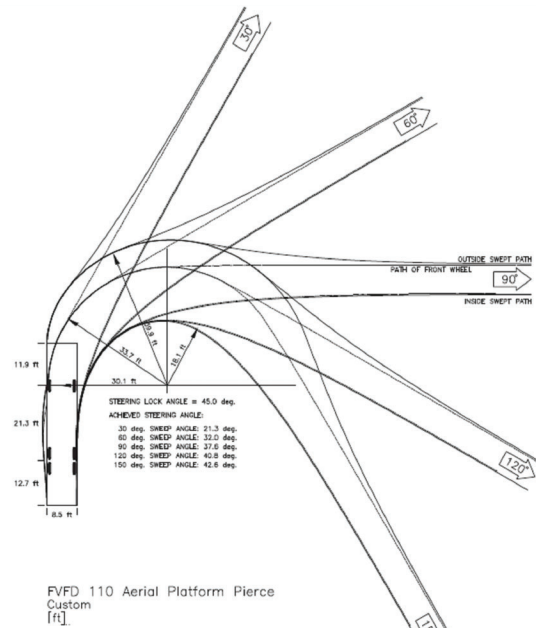
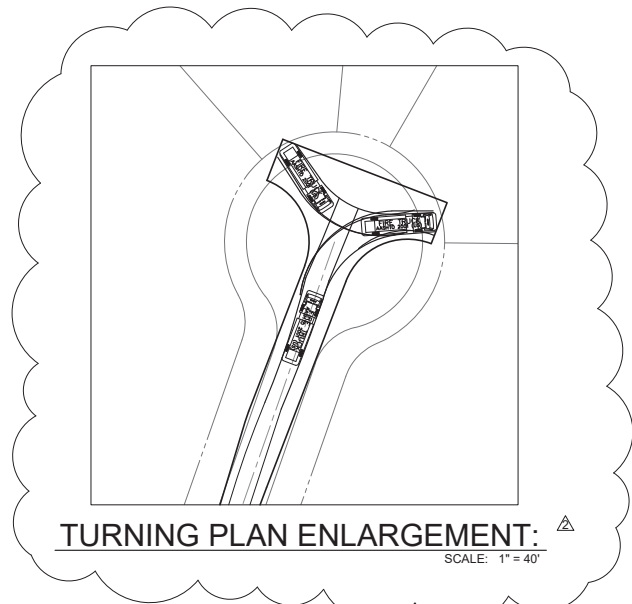
OPEN WOOD FENCE DETAIL



DATE:	NOVEMBER 14, 2023
SCALE:	1" = 40'
DESIGNED:	THIS
DRAWN:	SCM
CHECKED BY:	THIS
DATE NO.:	23130
FAMIL:	tomskelton46@gmail.com
MDS	THIS
MDS	THIS
MDS	THIS
REVISED	CHECKED

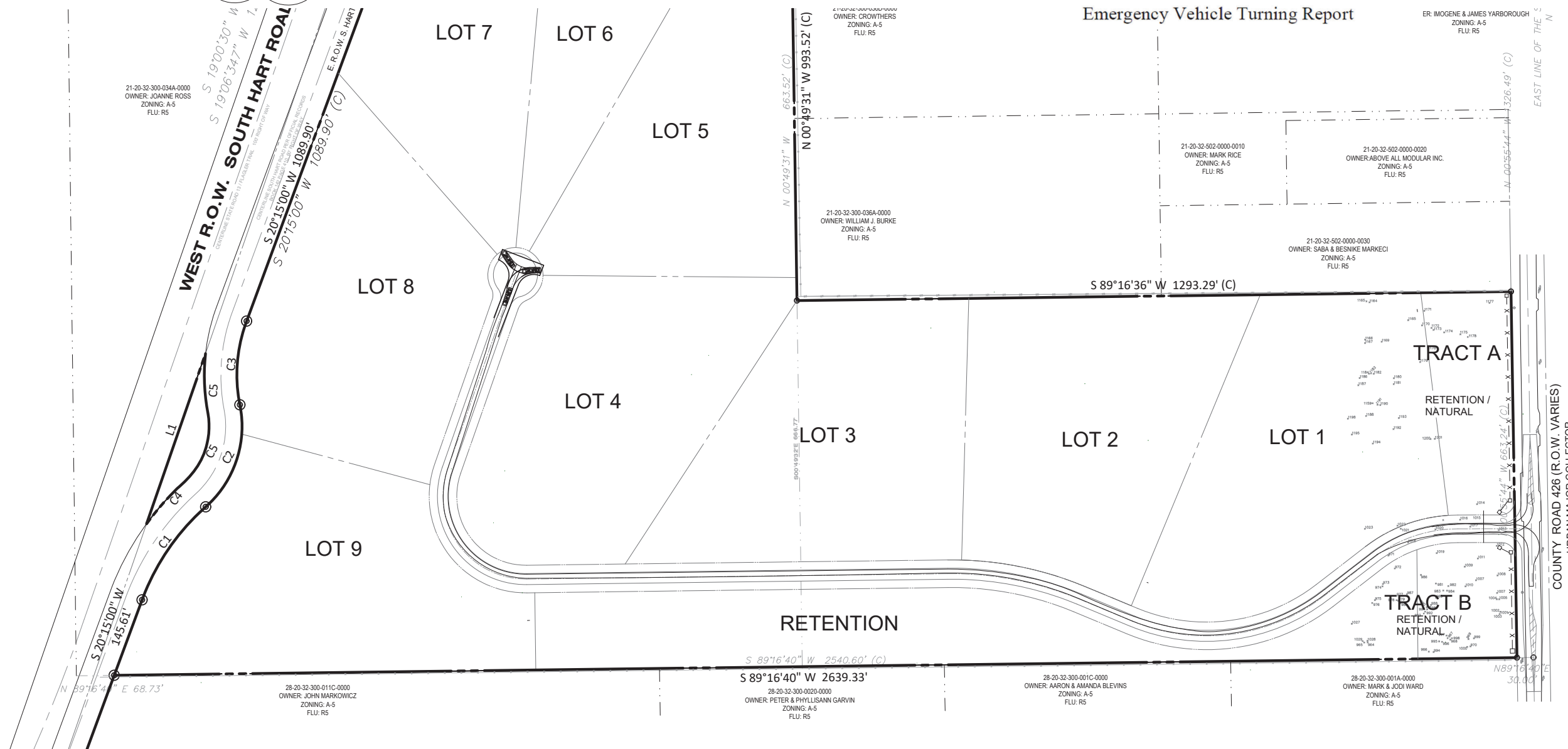
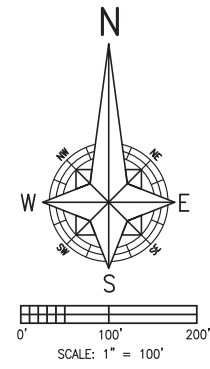
AMERICAN CIVIL ENGINEERING CO.  
207 N. MOSS ROAD, SUITE 211 WINTER SPRINGS, FLORIDA 32708  
PHONE: (407) 327-7700, FAX: (407) 327-0227  
CERTIFICATE OF AUTHORIZATION NO.: 0006728

PRELIMINARY LANDSCAPE PLAN  
**WILDERNESS ESTATES**  
SEMINOLE COUNTY, FLORIDA



**FVFD 110 Aerial Platform Pierce**

	feet
Width	: 8.53
Track	: 8.01
Lock to Lock Time	: 6.0
Steering Angle	: 45.0



DATE:	NOVEMBER 30, 2023
SCALE:	1" = 100'
DESIGNED:	THIS
DRAWN:	SCM
CHECKED BY:	THIS
JOB NO.:	23130
FAMIL:	tomskelton46@gmail.com
MDS:	THIS
MDS:	THIS
REVISIONS:	CHECKED

**AMERICAN CIVIL ENGINEERING CO.**

207 N. MOSS ROAD, SUITE 211 WINTER SPRINGS, FLORIDA 32708  
PHONE: (407) 327-7700, FAX: (407) 327-0227  
CERTIFICATE OF AUTHORIZATION NO.: 0000728

**WILDERNESS ESTATES**

SEMINOLE COUNTY, FLORIDA