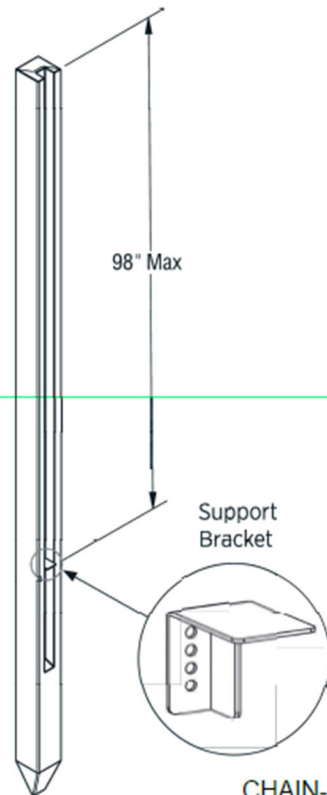
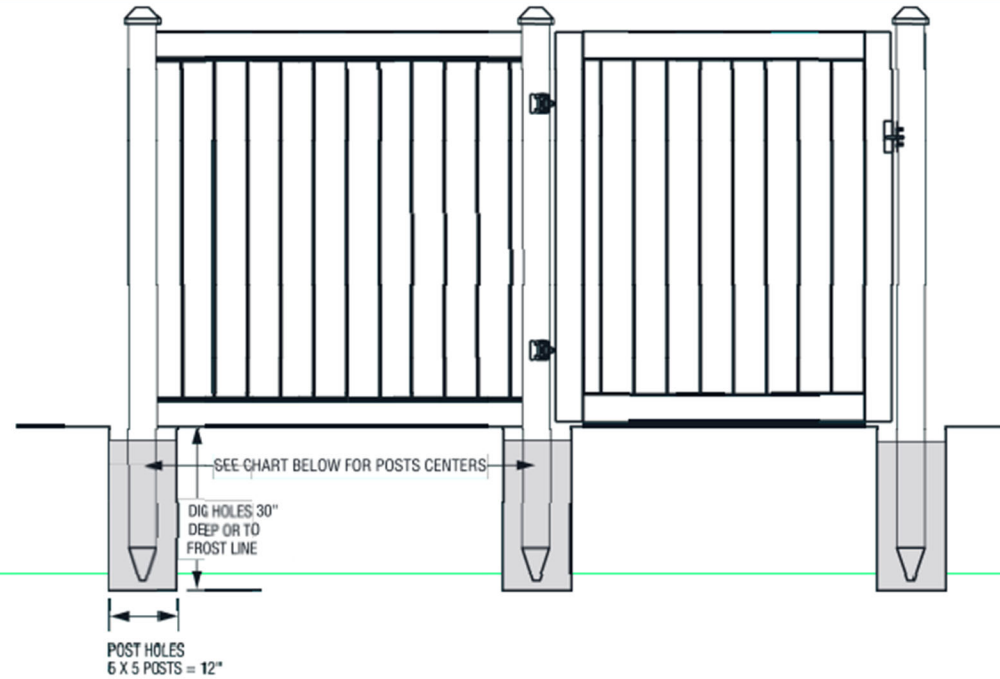


Privacy Fence
Simtek Sherwood 4' and 6' High



Panel Size	4'	6'	8'
Bracket Location from top of post	50"	74"	98"

Center to Center Post Dimensions for 6'

		Line	Corner	End	Gate
6'x6'	Line	72"	73"	72"	73"
	Corner		74"	73"	74"
4'x8'	Line	96"	97"	96"	97"
	Corner		98"	97"	98"

FOR INFORMATION ONLY

CHAIN-LINK FENCE AND GATE DETAILS
N.T.S.



12"x18" ALUMINUM SIGN WITH 1/4" DRILLED HOLES IN EACH CORNER
THICKNESS: 0.05"
HUNG ON COMPOUND GATE



18"x24" ALUMINUM SIGN WITH 1/4" DRILLED HOLES IN EACH CORNER
THICKNESS: 0.05"
HUNG ON ACCESS ROAD GATE IF APPLICABLE

SIGN DETAIL
N.T.S.

C4 TOWERS, LLC
1123 SOLANA AVENUE
WINTER PARK, FL 32789

PLANS PREPARED BY:

DANIEL DESIGN & ASSOCIATES, LLC
7901 4TH STREET N, SUITE 300
ST. PETERSBURG, FLORIDA 33702
PHONE #: 561-360-0724
REGISTRATION #: L25000268664

REVISIONS

REV	DATE	DESCRIPTION
1	2-16-2026	PER REVIEWERS REQUEST
2	5-18-2026	PER REVIEWERS REQUEST

SEAL:

Syed K Haneefuddin
Professional Engineer
No 83669
STATE OF FLORIDA
Professional Engineer
00102705100

SIGNED AND SEALED BY SYED KHAJA HANEFUDDIN, P.E. ON THE DATE INDICATED HERE: Digitally signed by Syed K Haneefuddin Date: 2025.09.29 00:10:27 -0500

CURRENT ISSUE DATE: **DECEMBER 2025**

PROJECT DATA:

LICENSURE: PE #:
SYED K. HANEFUDDIN, P.E. 83669

ISSUE FOR:
ZONING DRAWINGS

PROJECT INFORMATION: **C4348 KENTUCKY STREET FL1B0BA - S - KENTUCKY**
KENTUCKY STREET
SANFORD, FLORIDA 32773
SEMINOLE COUNTY

SHEET TITLE:
GATE AND FENCE DETAILS

DRAWN BY: CHECK BY: DWG NO. REV NO.
GD SKH 102

SCALE: APPROVED BY: SHEET NUMBER
AS SHOWN SKH C-5