



**80 Shire Trail**  
**Bozeman, MT. 59718**  
**(406) 924-3535 (800) 940-0540**

## QUOTE

2959485000016433058

**Sales Person** Louise Rainone

**Quote Creation Date** Nov 22, 2022 04:22 PM  
**Quote Valid Until** Jan 31, 2023  
**Estimated Delivery Date** May 2023  
**Paint Code** TBD

**Contact**  
**Seminole County Florida**  
**Jason Prather**  
**jprather@seminolecountyfl.gov**  
**(407) 665-5188**

Item & Description	List Price	Qty	Discount	Amount
<b>6x6 Acela Monterra GL Chassis Cab (SWB)</b>	\$ 119,950.00	2	0.0%	\$ 239,900.00
<b>GVWR 44,650 Lbs. (20,253 kg) Package - 6x6</b> Front GAWR: 13,000 lbs. (5,897 kg), Int. GAWR: 16,661 lbs. (7,557 kg), Rear GAWR: 16,661 lbs. (7,557 kg), GCWR: 65,650 lbs. (29,778 kg)	\$ 0.00	2	0.0%	\$ 0.00
<b>High Speed Gearing (6x6 Models)</b> Provides final gear ratio of 6.14:1 and top speed of 74MPH	\$ 9,990.00	2	0.0%	\$ 19,980.00
<b>Deep Water Forging Kit (6x6)</b> Increases water fording capabilities from 30 inches (762 mm) to 50 inches (1,168 mm) - 6x6 Chassis	\$ 2,662.00	2	0.0%	\$ 5,324.00
<b>Safety-Style Cab Entry Steps</b> Includes MSHA-compliant exterior entry steps	\$ 998.00	2	0.0%	\$ 1,996.00
<b>Center Passenger Seat</b> Includes standard center seat and seat belt. Air-ride seats not available for center seating position. Upgraded seating options available.	\$ 768.00	2	0.0%	\$ 1,536.00
<b>Back-Up Alarm</b> Includes 100db waterproof commercial back-up alarm (temporary-mounted for custom body placement).	\$ 153.00	2	0.0%	\$ 306.00
<b>Back-Up Camera System</b> Includes infrared commercial back-up camera, 70-feet of cable, 6.2-inch monitor (temporary-mounted for custom body placement).	\$ 454.00	2	0.0%	\$ 908.00
<b>Upfitter Auxiliary Dash Switch Pre-Wire</b> Provides eight (8) backlit rubber push buttons on instrument panel, each programmable to On/Off or Momentary action. Remote 12VDC power module is pre-wired with three (3) fused 10A outputs and five (5) 0.2A outputs.	\$ 646.00	2	0.0%	\$ 1,292.00
<b>Custom Exterior Paint Color</b> Match cab paint color to customer specification.	\$ 813.00	2	0.0%	\$ 1,626.00
<b>Tomar NFPA Warning Package - Silver</b> NFPA-1901-compliant warning light/siren/chevron package, aluminum lightbar frame and chrome surface-mount light bezels (detailed list POR).	\$ 7,393.10	2	0.0%	\$ 14,786.20

Item & Description	List Price	Qty	Discount	Amount
<b>PIAA Driving Lights</b> Includes (2) PIAA LP550 5-3/16-Inch Round LED Driving Light Lamps, Mounted in Bumper. Requires Option 1047, Upfitter Auxiliary Switches	\$ 498.00	2	0.0%	\$ 996.00
<b>NMO-Style 2-Way Radio Antenna Mount, Pre-Wired</b> Includes NMO-style antenna base installed on cab roof, non-terminated RG58 cables run to dash area. Priced each.	\$ 169.00	2	0.0%	\$ 338.00
<b>Front License Plate Bracket</b> License plate bracket permanently mounted to front grille.	\$ 0.00	2	0.0%	\$ 0.00
<b>Flood Rescue Body Package with Lift Gate</b> 16-foot custom aluminum body, staircase, staircase rails bulkhead side uprights, folding aluminum seating, flush mount floor cargo tie-downs (98"W bed, 102" OAW bare smooth aluminum).	\$ 61,166.60	2	0.0%	\$ 122,333.20
<b>Flood Rescue Sliding Canopy</b> Sliding Canopy with bulkhead-mounted upward facing scene light, forward plastic window, side screen/velcro closure window.	\$ 4,895.00	2	0.0%	\$ 9,790.00
<b>Flood Rescue Body Paint</b> Paint body to customer specification	\$ 9,990.00	2	0.0%	\$ 19,980.00
<b>Miscellaneous</b> Includes front-mounted Sherpa 17,000 lb. winch with 6.6HP motor coupled with a 3-stage planetary gearbox. Winch has 90-feet of synthetic rope and aluminum hawse, wireless remote control, neoprene cover and 5-year manufacturer's warranty. Custom winch housing attaches to forward shackle mounting points.	\$ 7,500.00	2	0.0%	\$ 15,000.00
<b>Shipping and Handling</b> Shipping from Bozeman, MT. to Seminole County FL	\$ 9,200.00	2	0.0%	\$ 18,400.00
<b>650- Gallon Slip In Unit</b> 650 gallon tank 96 OAL x 54 OAL Manifold outlet 1" fire-type tank fill IPO industrial valve 1 1/2" Fire type ball valve service line with cap and chain Suction inlet Standard suction with two 2 1/2" fire grade ball valve Electric rewind hose reel 1" x 150' (ESF20-30-31-RT) Set of chrome outriggers w/ 3 way rollers 1" fabric booster hose (price per feet) Poly pre-connect hose tray to hold 1 3/4" x 200' 90 degrees 1 1/2" swivel	\$ 23,222.00	2	0.0%	\$ 46,444.00
	<b>Sub Total</b>			<b>\$ 520,935.40</b>
	<b>Discount</b>			<b>\$ 18,232.74</b>
	<b>Total</b>			<b>\$ 502,702.66</b>

**NOTES :** Includes a 3.5% Discount for 100% prepayment within 14 days of signing of sales agreement

**Terms & Conditions:**



## 6x6 HWFRT VEHICLE SPECIFICATIONS

### Dimensional Data

Width	96 in	(2,438 mm)
Height	112 in	(2,845 mm)
Pintle Height (Laden/Unladen)	33/36 in	(838/905 mm)
Length	270 in/349 in	(6,859 mm)
Wheelbase	161 in/201 in	(4,100 mm)
Cab to Axle 1	115.5 in/163.1 in	(2,934 mm)
Turning Radius	56.4 f.	(17.2 m)

### Ground Clearance

Loaded	22 in	(559 mm)
Under Axle	14.4 in	(365 mm)
Approach/Departure Angles*	40° / 70°	
Curb Weight (with Fuel)*	18,446 lb	(8,915 kg)
GVWR*	30,750-49,000 lb	(13,948-22,226 kg)
Payload*	12,304-30,000 lb	(5,581-13,607 kg)
Maximum Towed Load	21,000 lb	(9,526 kg)
Maximum Speed (Standard Gearing)	58 MPH	(93 km/h)
Maximum Speed (Optional High Speed Gearing)	74 MPH	(119 km/h)
Fuel Tank	58 gal	(220 L)
Range (Optional Long-Range Fuel Tanks Available)	400+ mi	(645+ km)
Maximum Grade/Side Slope	60% / 30%	
Water Fording Depth (Optional 50" Fording Kit Available)	30 in	(762 mm)

### EQUIPMENT SPECIFICATIONS

#### Engine

Caterpillar 3126/C7*	6-Cylinder, 7.2 L, Electronically Controlled, Fuel-Injected, Turbocharged and Aftercooled, EPA Certified
Rating	330 HP (246 kW) @ 2400 RPM
Displacement	441 cu in (7.2 L)
Torque	860 ft-lb (1,166 Nm) @ 1440 RPM
Fuel Type	Diesel
Lubricant	15W40, Synthetic Blend

#### Transmission

Allison MD 3700/3070SP	Automatic, 7-speed, Electronically-Controlled, Power Take Off
Full-Time AWD	Integral Transfer Case
	Normal Operations: 30% Front / 70% Rear Off-Road Mode: 50% Front / 50% Rear
Torque Split	
Lubricant	ATF, 31.8 qt (30 L)

#### Axles, Meritor RF-611 Series

Front	13,000- 14,700 lb (5,897-6,668 kg) GAWR
Intermediate	8,875-18,000 lb (4,026-8,165 kg) GAWR
Rear	8,875-18,000 lb (4,026-8,165 kg) GAWR
Locker	Automatic, Detroit Style, Intermediate Axle
Carrier	Single Reduction, Amboid-Gearing Bevel
Wheel End	Wheel End Reduction, Ratio 2:1
Final Gear Ratio (Optional: 6.14:1 Available)	Standard: 7.80:1
Front Axle Steering Angle	35°
<b>Steering</b>	Power Assisted, Recirculating Ball, Adjustable Tilt Wheel
<b>Suspension</b>	Parabolic-Tapered Leaf Springs with Hydraulic Twin-Tube Shock Absorbers
<b>Brakes</b>	
Primary	Dual-Circuit, Four Channel Air, Anti-Lock Braking System
Supplemental	Air Actuated, Driver-Controlled Exhaust "Jake" Brake
Tires	46.6" Military Grade Tires
Spare	Rack-Mounted, Hydraulic Lift
<b>Central Tire Inflation System (CTIS), Dana/Eaton</b>	
General	Cab-Mounted Electronic Controls, Operable While Driving in Highway, Cross-Country, Sand/Mud/Snow, and Emergency Modes
Pressure Range	17-85 PSI (1.1-6.6 Bar)
<b>Electrical</b>	
System	Dual Voltage, 12/24VDC, Central Power Distribution Panel
Alternator	100 amp, 12/24 volt, Waterproof, EMI/RFI Suppressed
Starter	24 VDC, Waterproof
Batteries	Dual 8D Commercial Batteries, CCA: 2700, CA 3380 880A Load
Instrumentation	Can Bus-Driven Instrument Cluster
Exterior Lighting	C/FMVSS Compliant, Ships with Temp. Rear Lighting
<b>Cab</b>	
Entertainment	Extended Cab-Over Design Commercial-Grade Trim Package, Heavy-Duty Heat and Sound
General	Insulation



Trim	AM/FM/DVD 6.2" Touchscreen Stereo
Seating	(2) 2.1A USB Power Ports, (1) 12VDC Cig. Style Plug
Mechanical Access Power	2-Person, Adjustable, High-Back, Air-Ride Seats (3-Person Optional) Hydraulic Tilt
HVAC	47,000 BTU/Hr (13.8 kw) Heating Capacity 29,900 BTU/Hr (8.8 kw) Cooling Capacity Airflow 334 SCFM 9.5 m /min

### 16-Foot High Water/Flood Rescue Body Specifications

- All aluminum custom high water/flood rescue body (192"L x 100"W)
- Integrated staircase with handrails and flip-down-style lower step
- OSHA-compliant safety gate at top of stairs
- LED lighted stepwell
- 46"H aluminum bulkhead and sidewalls
- Flip down seating (seats approximately 25 people)
- (4) Flush-mount heavy-duty cargo tie-downs in bed floor
- Non-skid Line-X bed liner applied to bed floor
- (1) Set, Q-Straint wheelchair tie-down anchors and straps, w/strap storage bags, instructional poster (\*additional wheelchair tie downs available)
- Safety placards
- LED bed work lights
- LED rear scene/reverse lights
- LED marker/clearance/STT lighting
- Mudflaps and brackets
- Vertical exhaust stack, stainless steel and chrome
- Spare tire rack delete (Spare tire ships loose)
- 3000 lb. rail-style liftgate with dual controls, 54"D x 89"W Aluminum Platform
- NFPA green/red chevron pattern on stowed liftgate and rear bumper
- Sliding canopy
- 17,000 lb. front winch with custom mount

### Standard Tomar NFPA Lighting Package

- Zone A Upper Tomar Scorpion LED Light Bar (Red/Blue/White) with Forward Flood Capability (Red/Blue Only when Park Brake Activated)
- Zone A Lower Tomar 4x6 LED Perimeter Light (Red/Blue)
- Zone B Upper Lightbar with Left/Right Scene Capability (Blue/White)
- Zone B Lower (2) Tomar 3x7 LED Perimeter Lights (Forward Corner Red/Blue, Rear Corner Red/Blue)
- Zone C Upper LED Rotating Beacon (1 Red, 1 Blue)
- Zone C Lower (2) Tomar 3x7 LED Perimeter Light (1 Red, 1 Blue)
- Zone D Upper Lightbar with Left/Right Scene Capability (Red/White)
- Zone D Lower (2) Tomar 3x7 LED Perimeter Lights (Forward Corner Red, Rear Corner Blue)

### Siren

- Feniex Typhoon 100W Full-Featured Siren Controller with PA Capability
- Feniex Triton 100W Siren Speaker

### 650-Gallon Slip in Unit

650-gallon Poly tank 96 OAL x 54 OAL Manifold outlet -1" fire type tank fill IPO industrial valve, 1 1/2" Fire type ball valve service line with cap and chain Standard suction with two 2 1/2" fire grade ball valve, Electric rewind hose reel 1" x 150' (ESF20-30-31-RT), Set of chrome outriggers w/ 3 way rollers, 1" fabric booster hose (price per foot), Poly pre-connect hose tray to hold 1 3/4" x 200' 90 degrees 1 1/2" swivel.

# HIGH WATER/ FLOOD RESCUE TRUCKS



## **50-INCH WATER FORDING CAPABILITY - 4X4 & 6X6 MODELS**

Acela Truck Company, manufacturer of North America's most capable trucks, now offers purpose-built High Water/Flood Rescue Trucks in both 4x4 and 6x6 variations of its Monterra™ line of truck chassis. With 47-inch tires, 23-inches of ground clearance, and a proprietary 50-inch water fording capability, there is no other modern truck platform that can compete when it comes to reliable and safe operations in flood waters. Available models and customizable configurations can safely transport up to 28 seated passengers (incl. driver) with ample room and payload for pets, personal property and rescue gear. Monterra flood rescue trucks can be used for virtually any disaster response such as tornadoes, hurricanes, blizzards, and earthquakes, easily traveling over or through large debris, sand and mud or double as brush/wildland fire engines, Urban Search and Rescue (USAR) support vehicles, cargo haulers and SAR/SWAT team troop carriers, in any rural or urban environment. Monterras come standard with a bumper to bumper parts and labor warranty.

## Standard Flood Rescue Body

- 16-foot Custom Aluminum Flood Rescue Body - (97"W Bed, 101" OAW) (Bare Smooth Aluminum)
- Integrated Staircase with Railing
- Staircase Lower Flip-Style Step for Maximum Clearance
- OSHA "Man bar" Safety Gate, Top of Stairs
- Bulkhead and Side Walls
- Folding Aluminum Seating, Full Perimeter
- Non-Skid Bedliner Floor
- (4) Flush-Mount Cargo Tie-Downs
- WC tie-down strap w/storage bags (under seats), instructional poster on wall
- Bed lighting, Lighted Stairs, Rear Scene/Reverse Lights
- 3000# Rail-Style Liftgate (bed-mounted pump) with dual controls
- LED DOT Marker/Clearance/Stop/Turn/Tail/Reverse Lighting
- Safety Placards
- Mudflaps
- NFPA Rear Reflective Chevron Pattern

## Options

- Paint
- Diesel-Fired Webasto Airtronics Heater for Passenger/Bed Area
- Additional Flush-mount Wheelchair Tie-Downs in Bed Floor
- Additional Scene Lighting

## Sliding Canopy Package

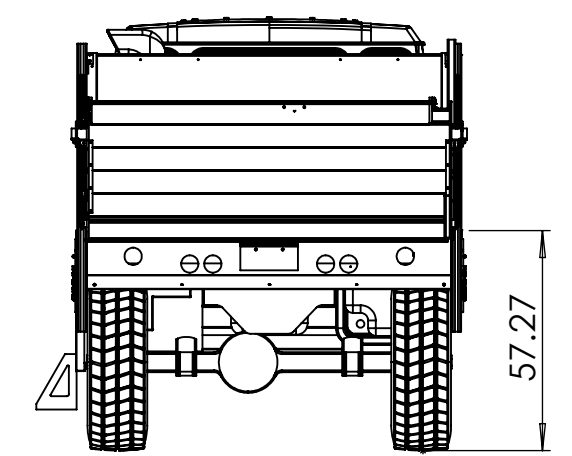
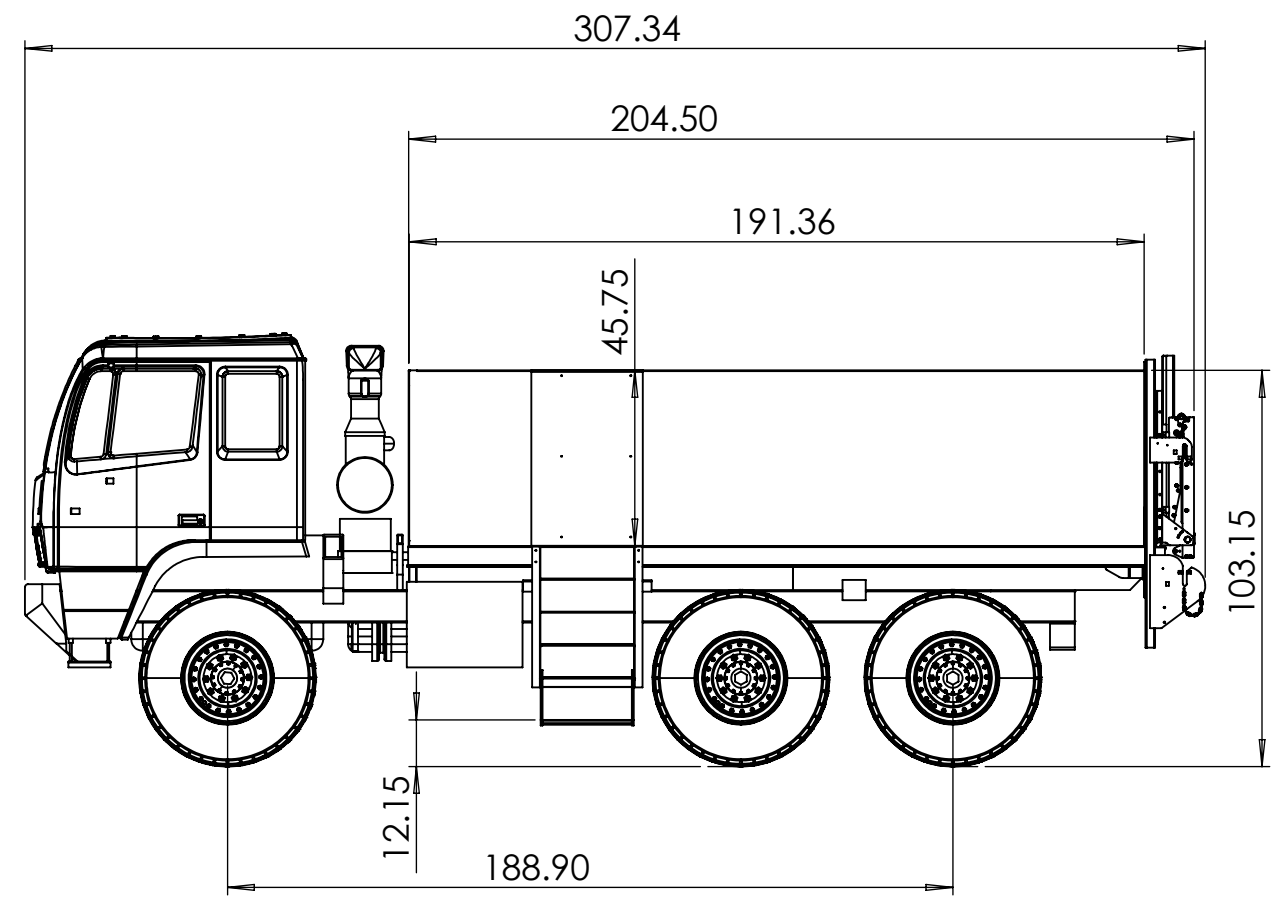
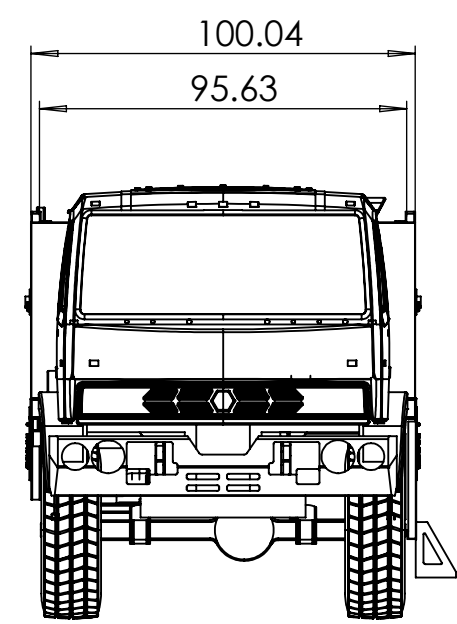
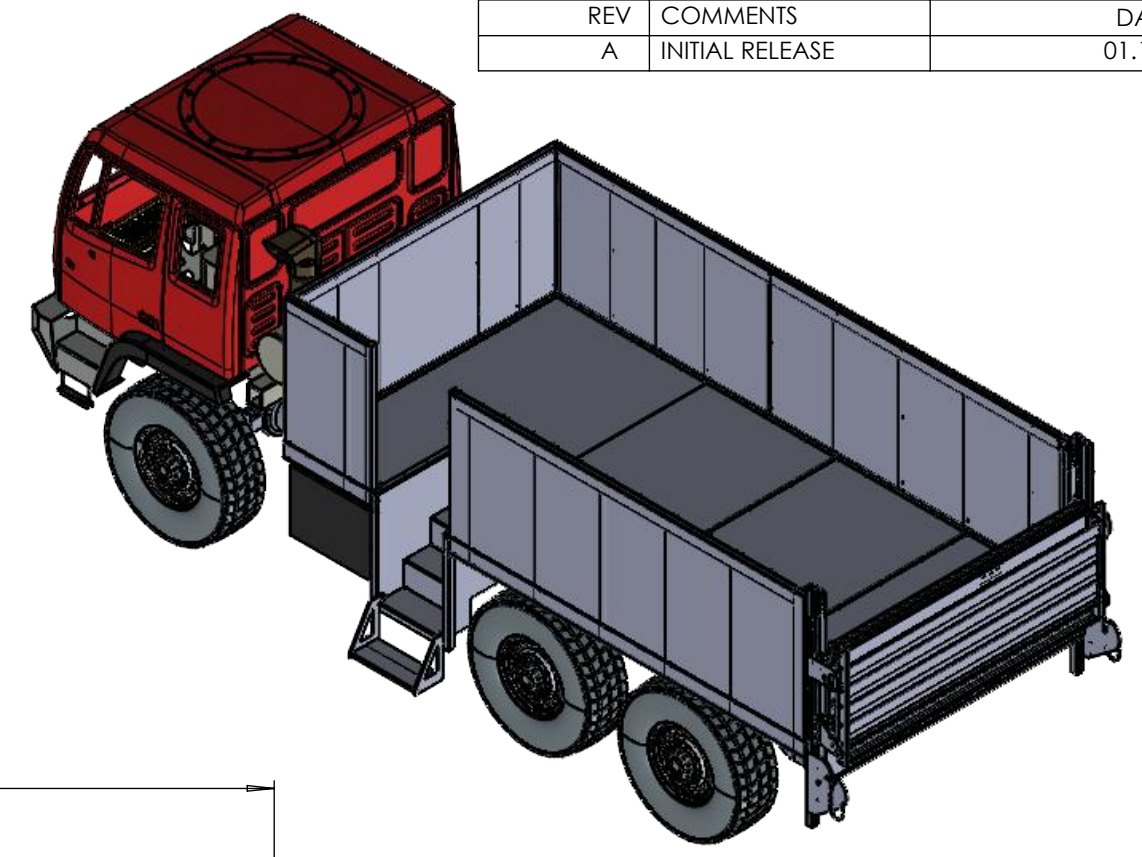
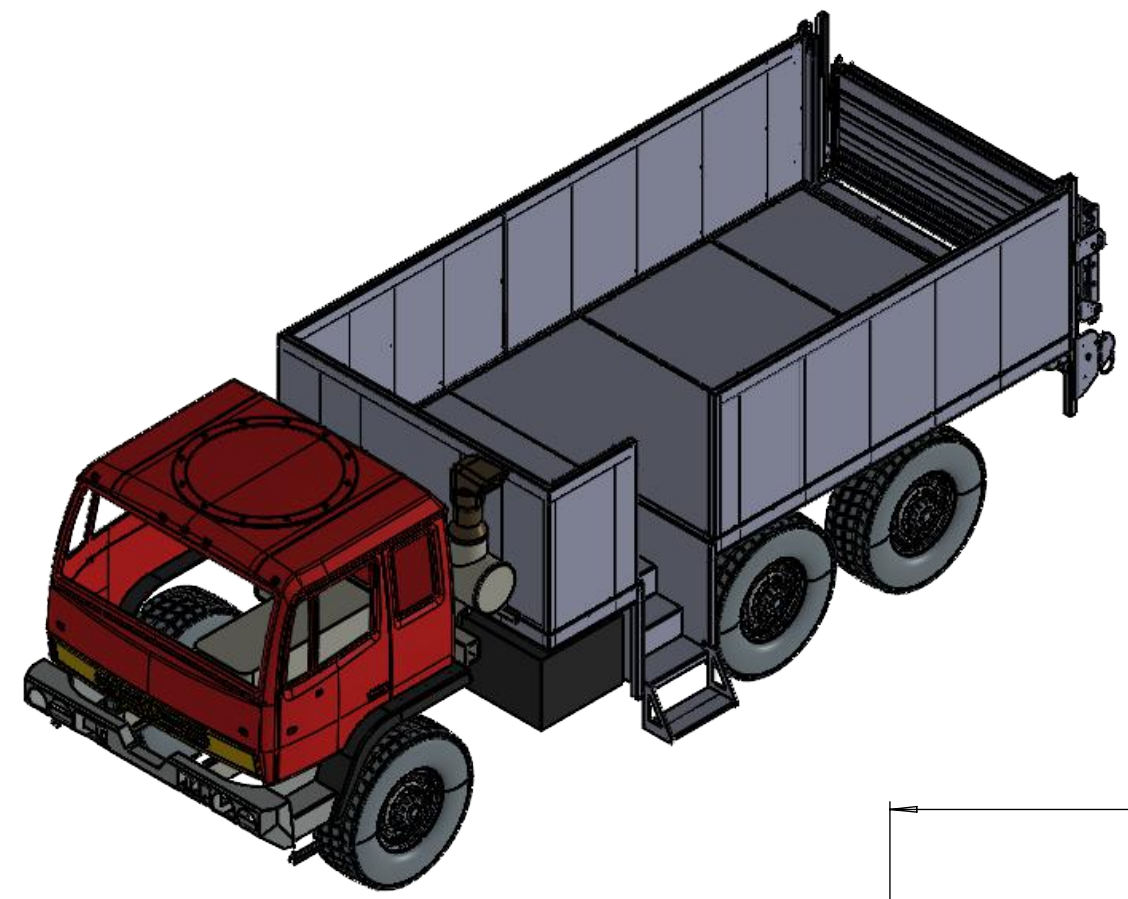
- Sliding canopy - 1 forward window and rear roll-down wall w/door and windows.





10 9 8 7 6 5 4 3 2 1

REVISIONS			
REV	COMMENTS	DATE	APPD
A	INITIAL RELEASE	01.14.22	DS



**Note:** Front of body to be 1.5" behind bulkhead crossmember.

<b>3RD ANGLE PROJECTION</b> 	UNLESS OTHERWISE SPECIFIED: 0.X ± 0.1 0.0X ± 0.01 0.00X ± 0.005 ANGULAR ± 1°	NAME	DATE	DESCRIPTION: <h2 style="text-align: center;">Flood Rescue Body - 6x6</h2>
	PROJECT:	DRAWN BY:		
PROPRIETARY AND CONFIDENTIAL THE INFORMATION CONTAINED IN THIS DRAWING IS THE SOLE PROPERTY OF <INSERT COMPANY NAME HERE>. ANY REPRODUCTION IN PART OR AS A WHOLE WITHOUT THE WRITTEN PERMISSION OF <INSERT COMPANY NAME HERE> IS PROHIBITED.	MATERIAL			DWG. NO.
	FINISH			REV
		SCALE: 1:50		SHEET 1 OF 1

10 9 8 7 6 5 4 3 2 1

6

5

4

3

2

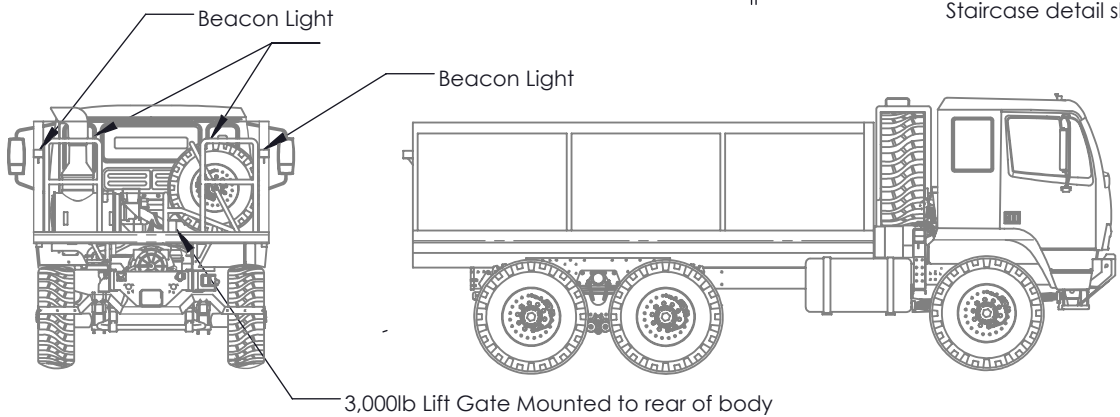
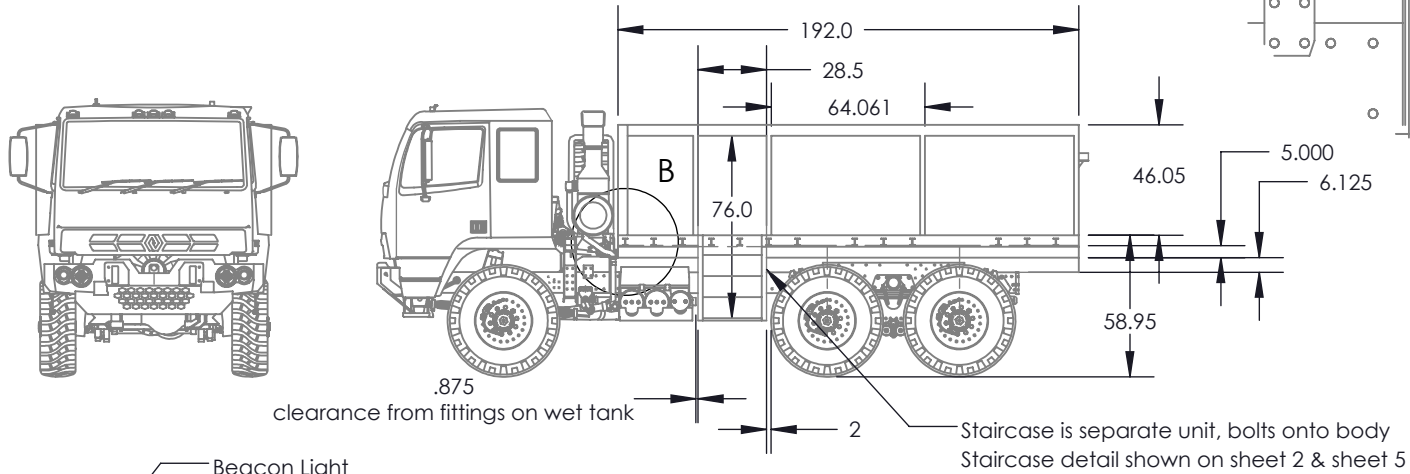
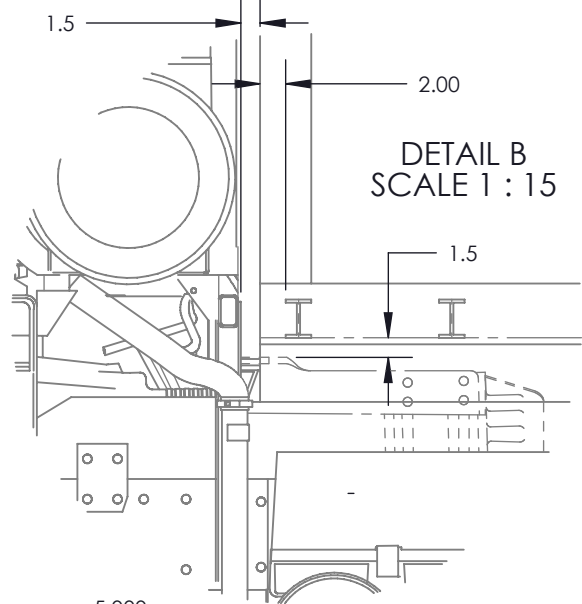
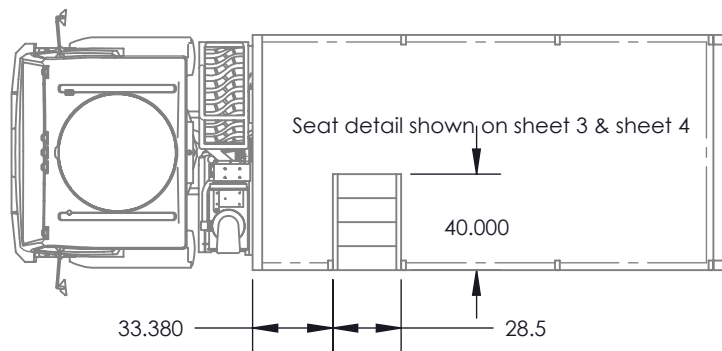
1

D

C

B

A



	<b>PROPRIETARY AND CONFIDENTIAL</b> THE INFORMATION CONTAINED IN THIS DRAWING IS THE SOLE PROPERTY OF ACELA TRUCK COMPANY. ANY REPRODUCTION IN PART OR AS A WHOLE WITHOUT THE WRITTEN PERMISSION OF ACELA TRUCK COMPANY IS PROHIBITED.	<b>PART NAME</b> MONTERRA 6X6 FLOOD RESCUE			<b>MATERIAL</b> N/A	<b>UNLESS OTHERWISE SPECIFIED DIMENSIONS ARE IN INCHES</b> 0.X ± 0.1 0.0X ± 0.03 0.00X ± 0.005 ANGULAR ± 1°	<b>3RD ANGLE PROJECTION</b> 
		<b>DRW. REV.</b> <b>B</b>	<b>SHEET</b> 1 OF 5	<b>SCALE</b> 1:80	<b>FINISH</b> N/A		

6

5

4

3

2

1

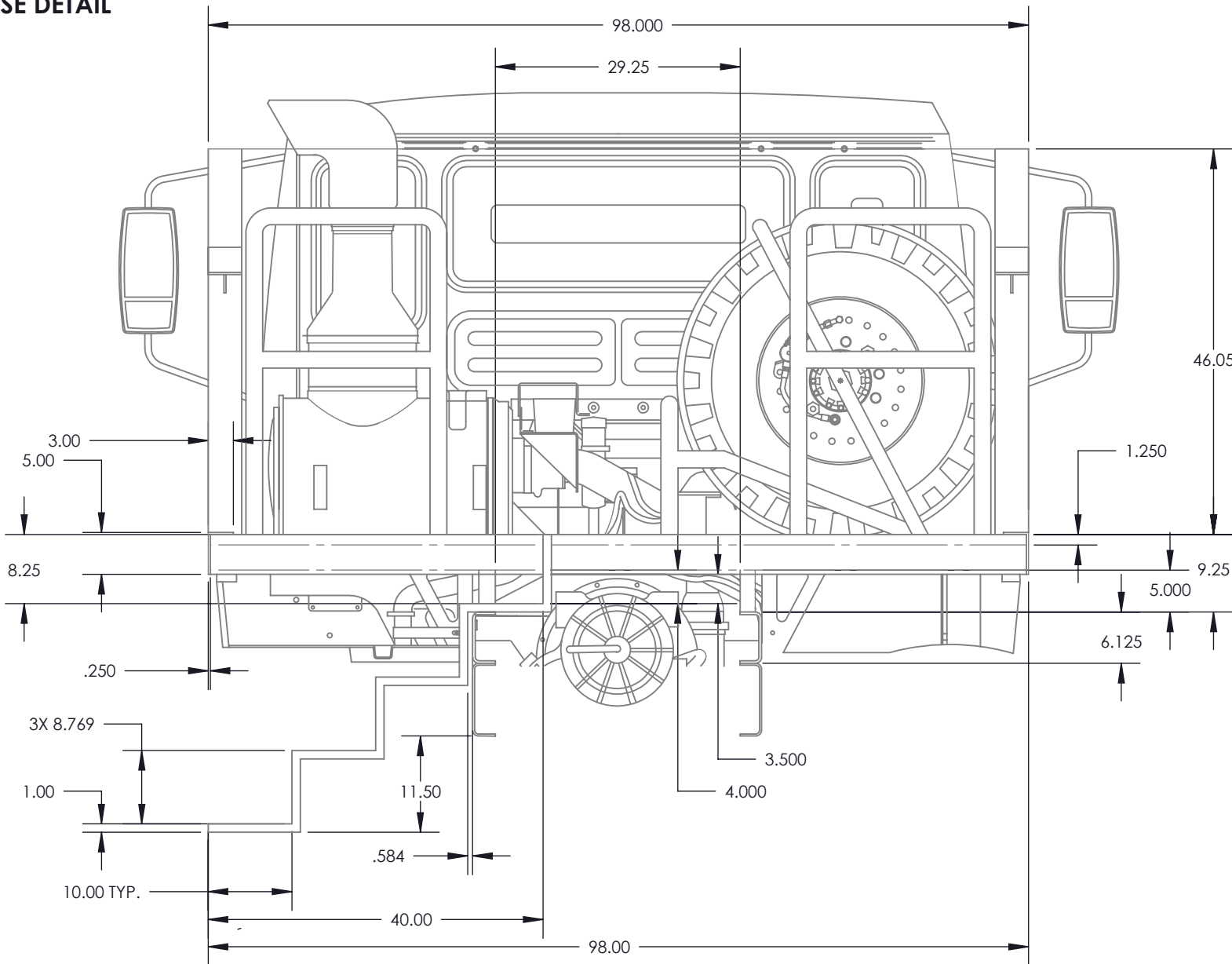
# STAIRCASE DETAIL

D

C

B

A



**PROPRIETARY AND CONFIDENTIAL**  
 THE INFORMATION CONTAINED IN THIS DRAWING IS THE SOLE PROPERTY OF ACELA TRUCK COMPANY. ANY REPRODUCTION IN PART OR AS A WHOLE WITHOUT THE WRITTEN PERMISSION OF ACELA TRUCK COMPANY IS PROHIBITED.

**PART NAME**  
 MONTERRA 6X6 FLOOD RESCUE

<b>DRW. REV.</b> B	<b>SHEET</b> 2 OF 5	<b>SCALE</b> 1:18
-----------------------	------------------------	----------------------

<b>MATERIAL</b>	N/A
<b>FINISH</b>	N/A

**UNLESS OTHERWISE SPECIFIED DIMENSIONS ARE IN INCHES**

0.X ± 0.1  
 0.0X ± 0.01  
 0.00X ± 0.005  
 ANGULAR ± 1°

3RD ANGLE PROJECTION



6

5

4

3

2

1

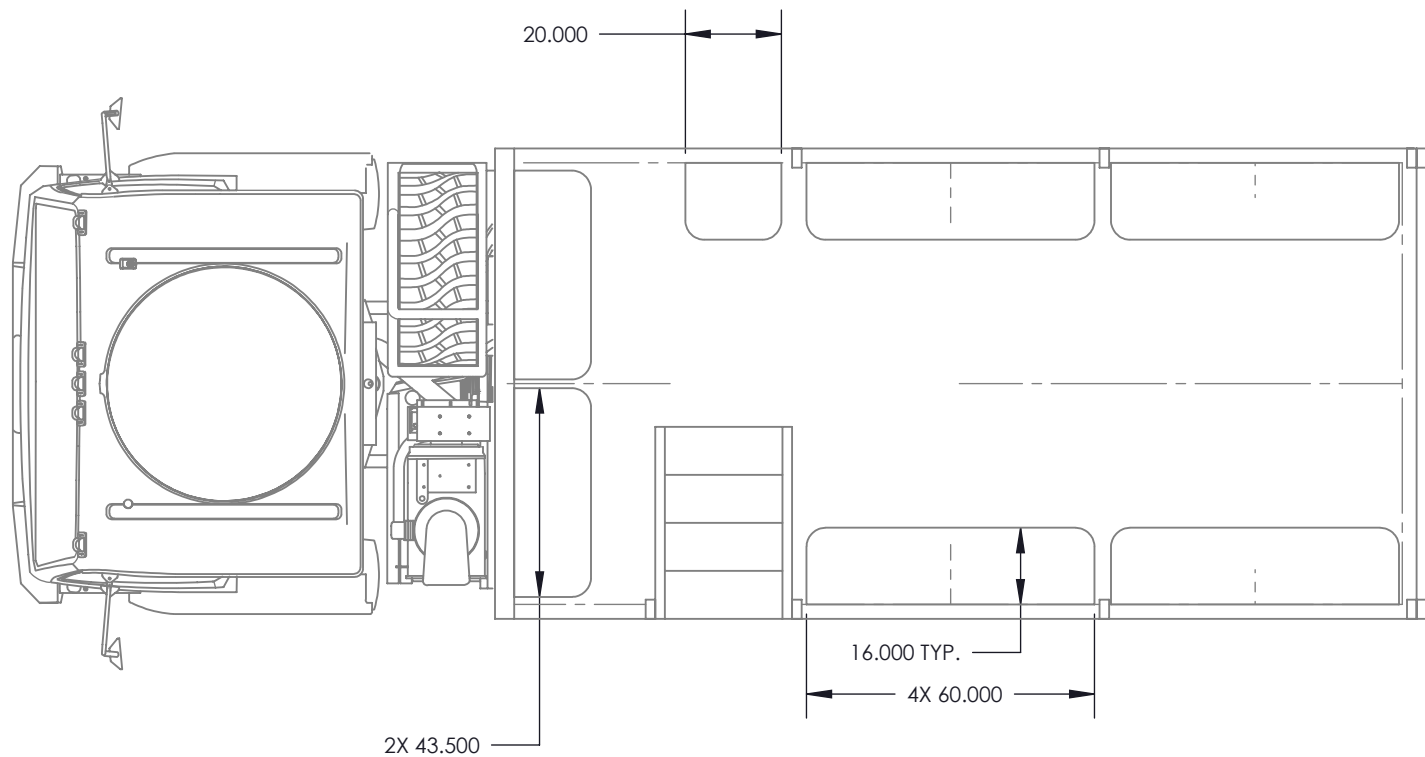
D

C

B

A

### SEAT DETAIL



**PROPRIETARY AND CONFIDENTIAL**  
 THE INFORMATION CONTAINED IN THIS DRAWING IS THE SOLE PROPERTY OF ACELA TRUCK COMPANY. ANY REPRODUCTION IN PART OR AS A WHOLE WITHOUT THE WRITTEN PERMISSION OF ACELA TRUCK COMPANY IS PROHIBITED.

PART NAME  
**MONTERRA 6X6 FLOOD RESCUE**

DRW. REV.  
**B**

SHEET  
 3 OF 5

SCALE  
 1:40

MATERIAL  
 N/A

FINISH  
 N/A

UNLESS OTHERWISE SPECIFIED  
 DIMENSIONS ARE IN INCHES

0.X ± 0.1  
 0.0X ± 0.01  
 0.00X ± 0.005  
 ANGULAR ± 1°

3RD ANGLE PROJECTION



6

5

4

3

2

1

### SEAT ASSEMBLY

Seat stowed  
Cover panel hidden

D

C

Gas shock to stow seat

3.000

C

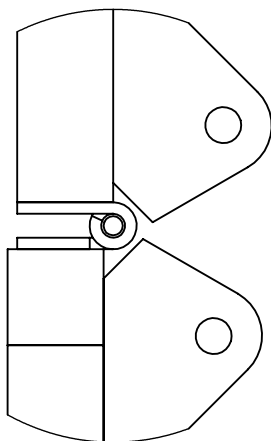
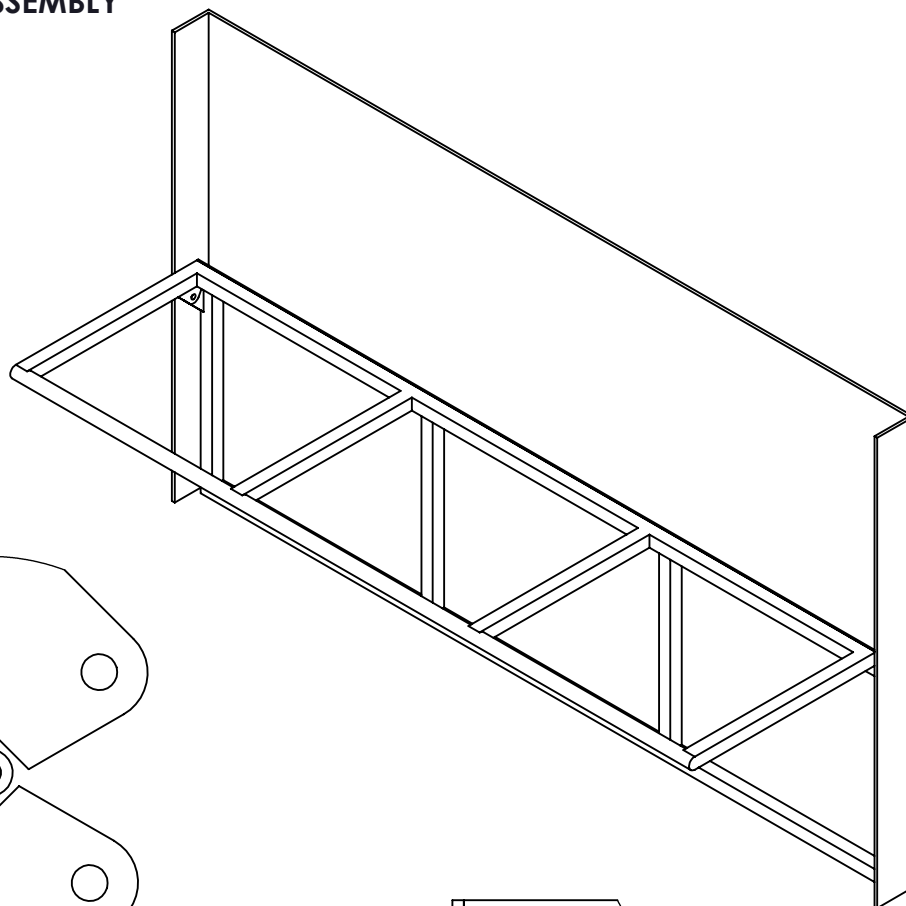
D

Quick release pin for hard stop

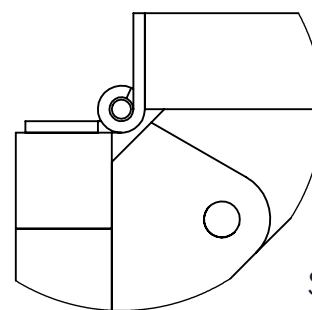
B

Seat down  
Cover panel hidden

A



DETAIL C  
SCALE 1 : 2



DETAIL D  
SCALE 1 : 2



**PROPRIETARY AND CONFIDENTIAL**  
THE INFORMATION CONTAINED IN THIS DRAWING IS THE SOLE PROPERTY OF ACELA TRUCK COMPANY. ANY REPRODUCTION IN PART OR AS A WHOLE WITHOUT THE WRITTEN PERMISSION OF ACELA TRUCK COMPANY IS PROHIBITED.

PART NAME  
MONTERRA 6X6 FLOOD RESCUE

DRW REV.  
**B**

SHEET  
4 OF 5

SCALE  
1:10

MATERIAL  
N/A

FINISH  
N/A

UNLESS OTHERWISE SPECIFIED  
DIMENSIONS ARE IN INCHES

0.X ± 0.1  
0.0X ± 0.01  
0.00X ± 0.005  
ANGULAR ± 1°

3RD ANGLE PROJECTION





6

5

4

3

2

1

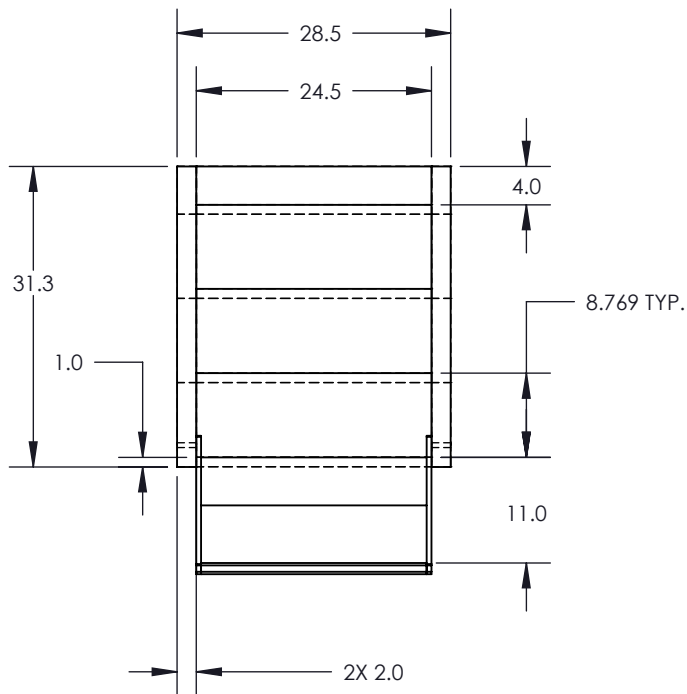
# STAIRCASE ASSEMBLY

D

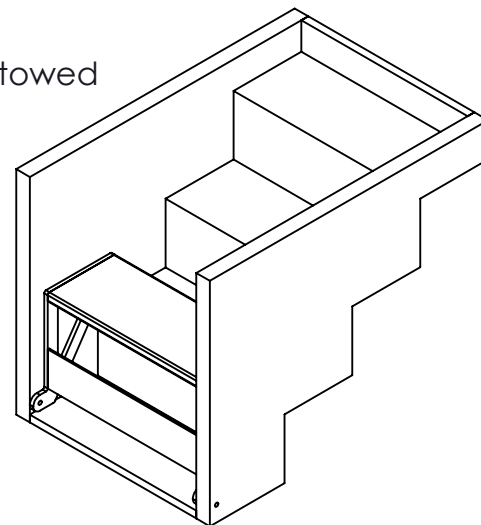
C

B

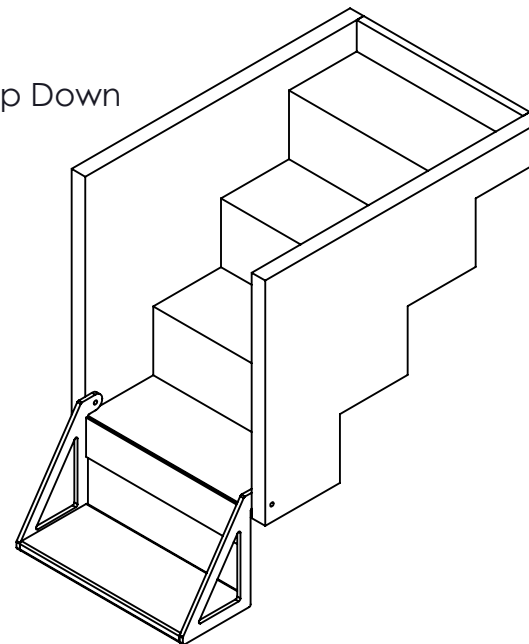
A



Step Stowed



Step Down



**PROPRIETARY AND CONFIDENTIAL**  
THE INFORMATION CONTAINED IN THIS DRAWING IS THE SOLE PROPERTY OF ACELA TRUCK COMPANY. ANY REPRODUCTION IN PART OR AS A WHOLE WITHOUT THE WRITTEN PERMISSION OF ACELA TRUCK COMPANY IS PROHIBITED.

PART NAME  
MONTERRA 6X6 FLOOD RESCUE

DRW REV.  
**B**

SHEET  
5 OF 5

SCALE  
1:20

MATERIAL  
N/A

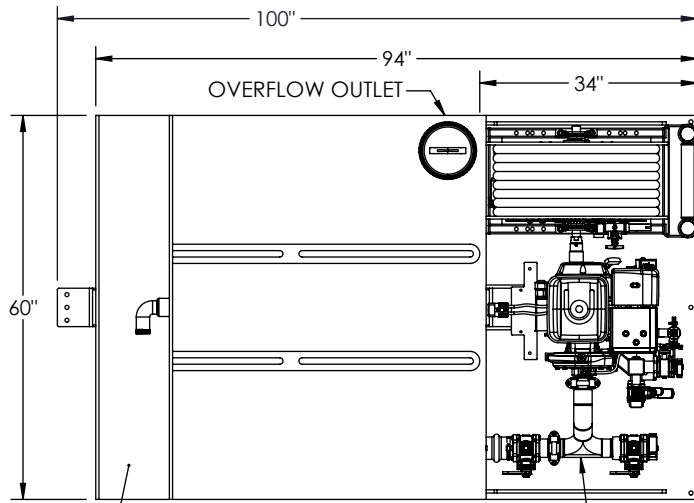
FINISH  
N/A

UNLESS OTHERWISE SPECIFIED  
DIMENSIONS ARE IN INCHES

0.X ± 0.1  
0.0X ± 0.01  
0.00X ± 0.005  
ANGULAR ± 1°

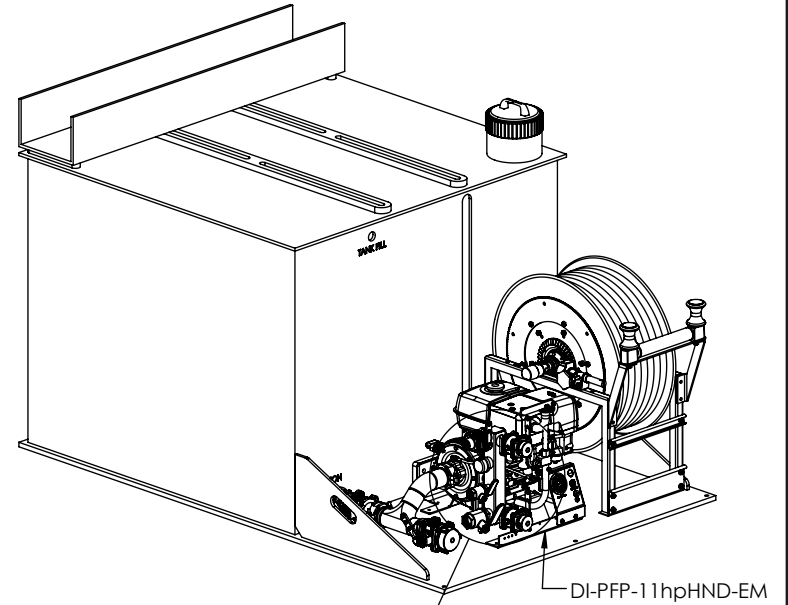
3RD ANGLE PROJECTION





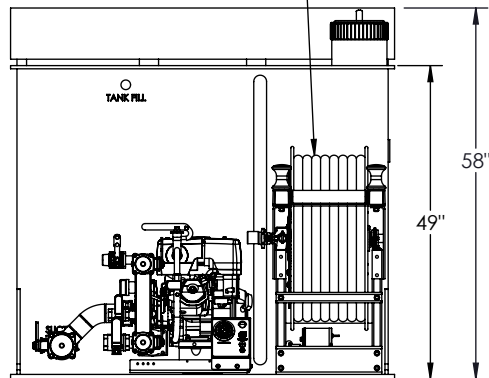
POLY PRE-CONNECT HOSE TRAY  
CAPACITY: 1-3/4" x 200' HOSE  
DIMENSIONS: 48" x 12" x 8"H  
W/1-1/2" x 90° SWIVEL CONNECTION

STANDAR SUCTION  
W/ (2) 2-1/2" FIRE GRADE VALVES  
W/ CAP & CHAIN



DI-PPF-11hpHND-EM

ELECTRIC REWIND HOSE REEL  
W/ 3 WAY ROLLERS  
1" x 150' BOOSTER HOSE  
MODEL: #ESF20-30-31-RT



1" FIRE GRADE VALVE  
TANK FILL

1-1/2" NPT-M NIPPLE  
W/ CAP


1-1/2" FIRE GRADE VALVE  
W/ CAP & CHAIN  
SERVICE LINE

1" INDUSTRIAL VALVE  
HOSE REEL

1-1/2" INDUSTRIAL VALVE  
PRE-CONNECT

1-1/2" FIRE GRADE VALVE  
W/ CAP & CHAIN  
SERVICE LINE

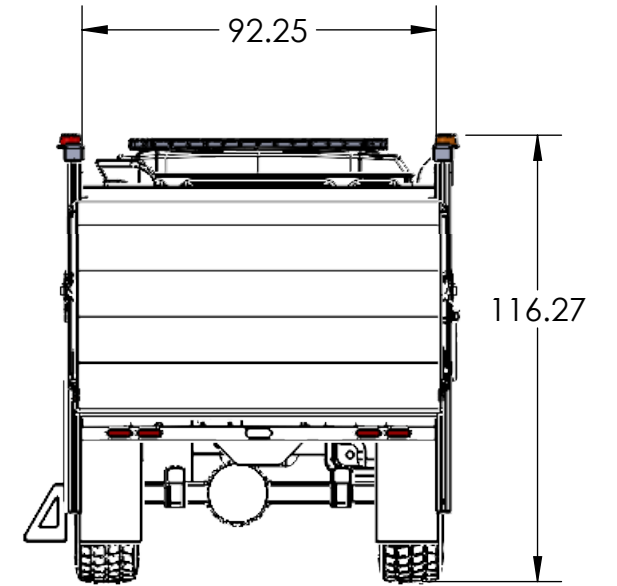
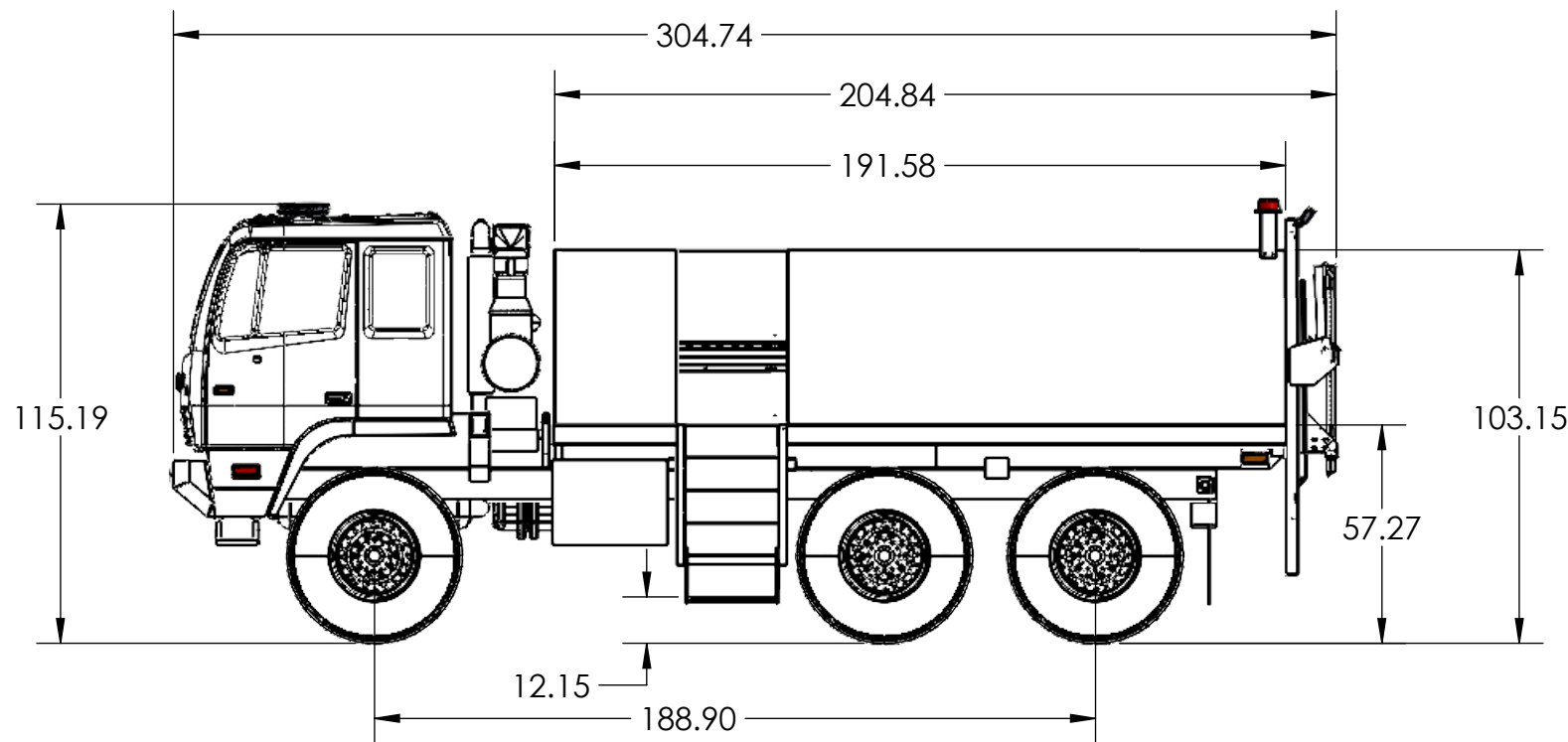
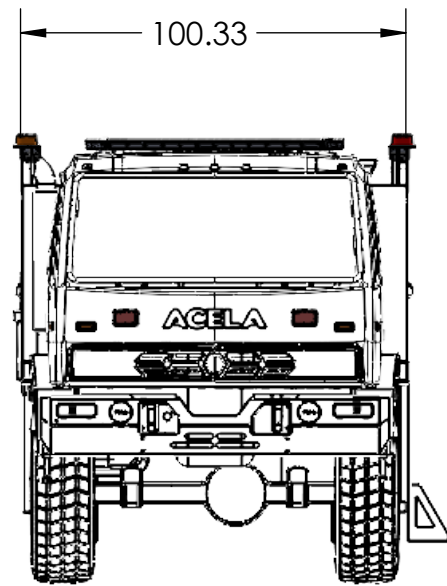
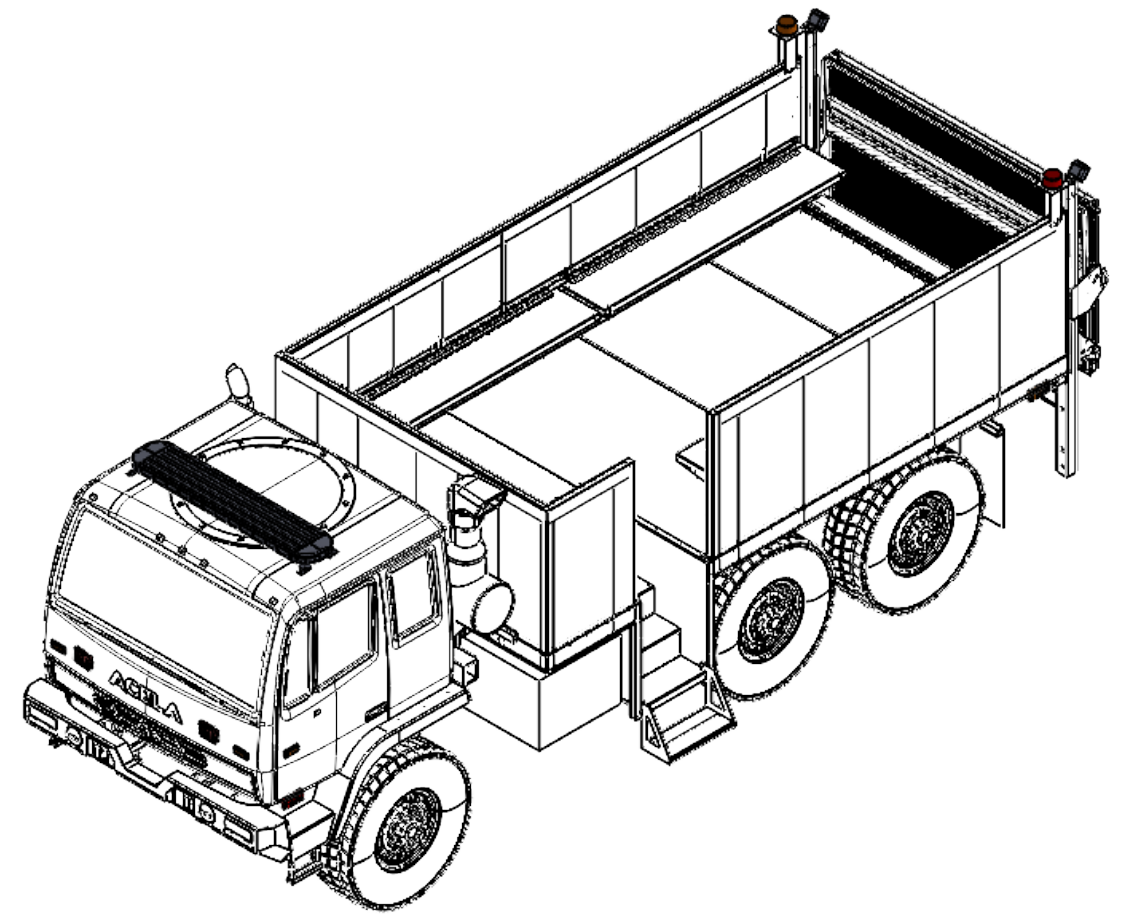
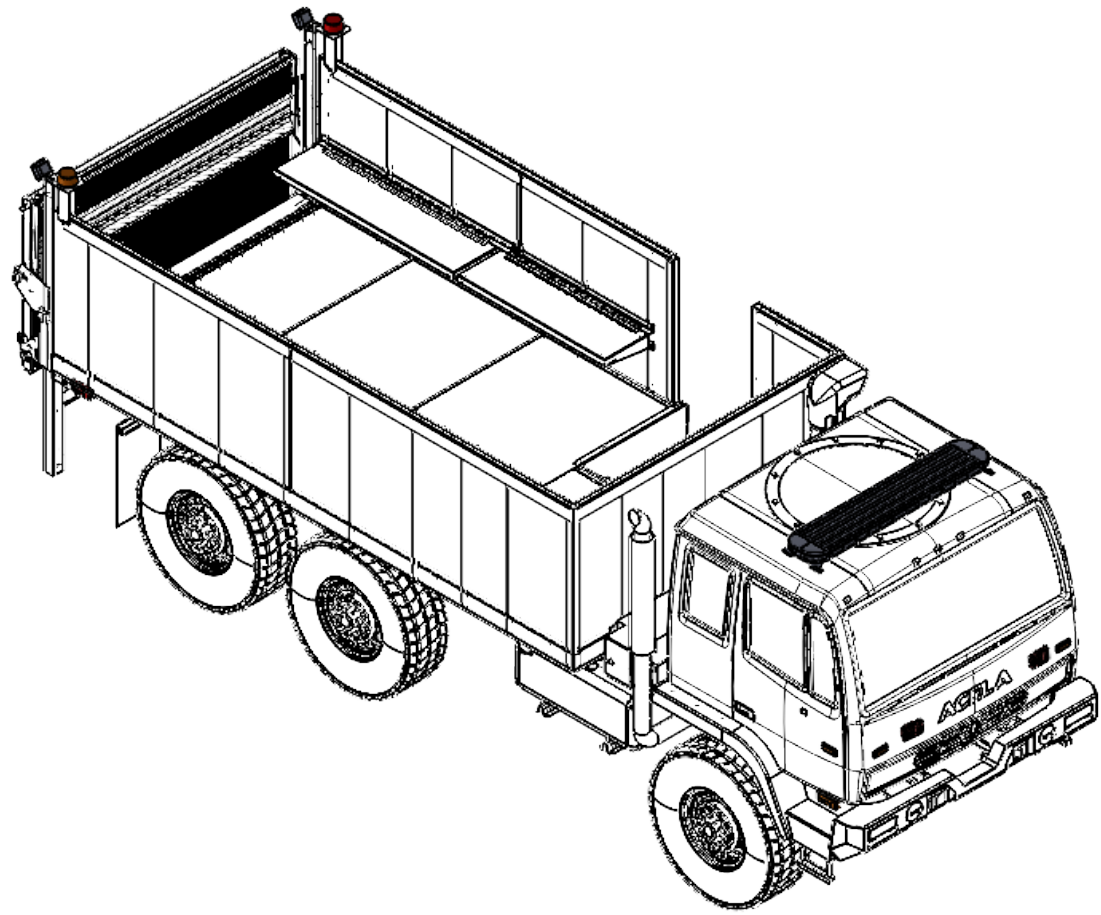
REV.	DATE	BY
------	------	----

	<b>TITLE :</b> <i>ACELA TRUCK COMPANY</i>		<b>APPROXIMATE DRY WEIGHT</b>	<b>QUOTE #</b>	<b>WARNING</b> THIS DOCUMENT REMAINS THE PROPERTY OF C.E.T. FIRE PUMPS MFG. ALL REPRODUCTION WITHOUT WRITTEN AGREEMENT FROM C.E.T. FIRE PUMPS MFG IS TOTALLY PROHIBITED.
	650 U.S. GAL. WATER	U.S. GAL. F.C.	- Lbs	24402	
<b>No:</b> <b>DP-7030-0701A</b>	<b>TANK TYPE</b> S	<b>CREATED</b> BY: O.H. DATE: 2022-09-20	<b>APPROXIMATE WET WEIGHT</b> - Lbs	<b>OPP #</b> 19015	APPROVED BY _____ APPROVED DATE _____

10 9 8 7 6 5 4 3 2 1

H  
G  
F  
E  
D  
C  
B  
A

H  
G  
F  
E  
D  
C  
B  
A



<p>3RD ANGLE PROJECTION</p>	<p>UNLESS OTHERWISE SPECIFIED: 0.X ± 0.1 0.0X ± 0.01 0.00X ± 0.005 ANGULAR ± 1°</p>	NAME	DATE	<p>DESCRIPTION: <b>Tomar Lighting Package - 6x6</b></p>
	PROJECT:	DRAWN BY:	CHECKED BY:	
<p><b>PROPRIETARY AND CONFIDENTIAL</b> THE INFORMATION CONTAINED IN THIS DRAWING IS THE SOLE PROPERTY OF &lt;INSERT COMPANY NAME HERE&gt;. ANY REPRODUCTION IN PART OR AS A WHOLE WITHOUT THE WRITTEN PERMISSION OF &lt;INSERT COMPANY NAME HERE&gt; IS PROHIBITED.</p>	MATERIAL			REV
	FINISH			SCALE: 1:50

10 9 8 7 6 5 4 3 2 1







