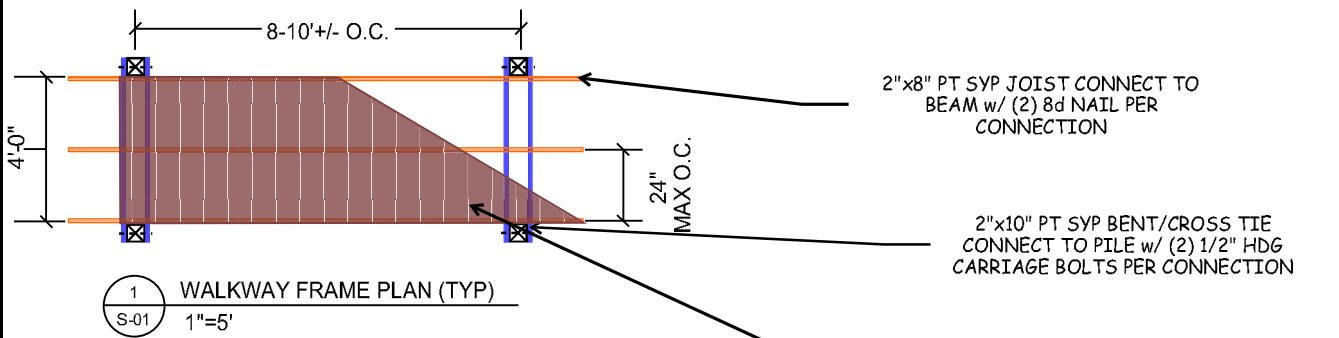


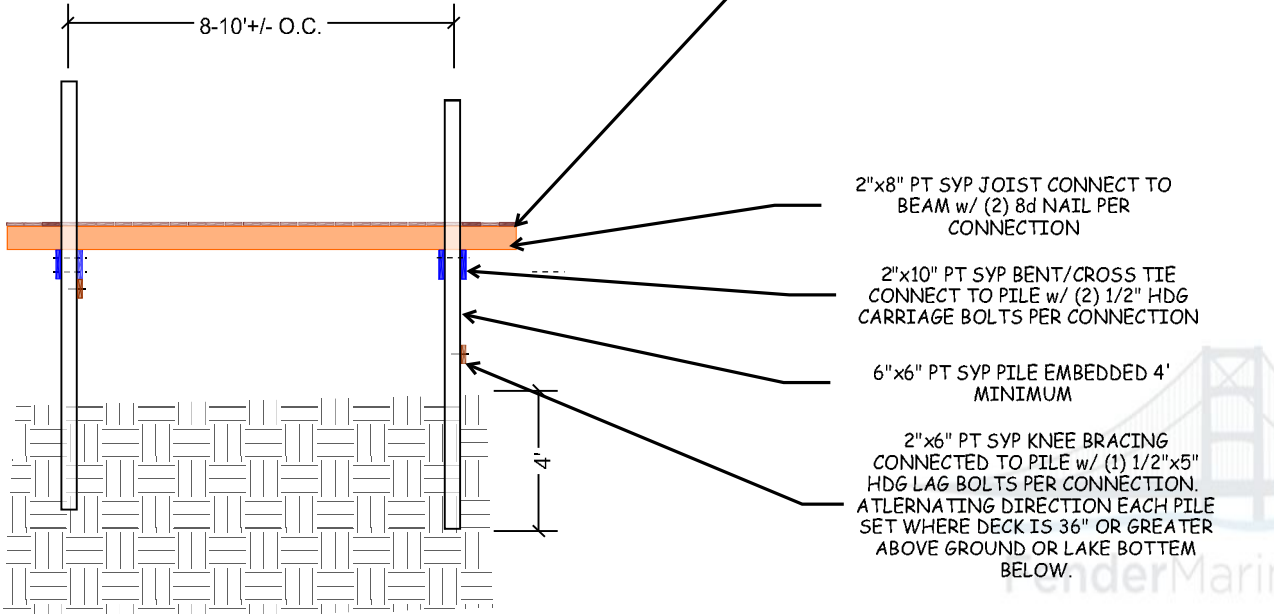
EXHIBIT C



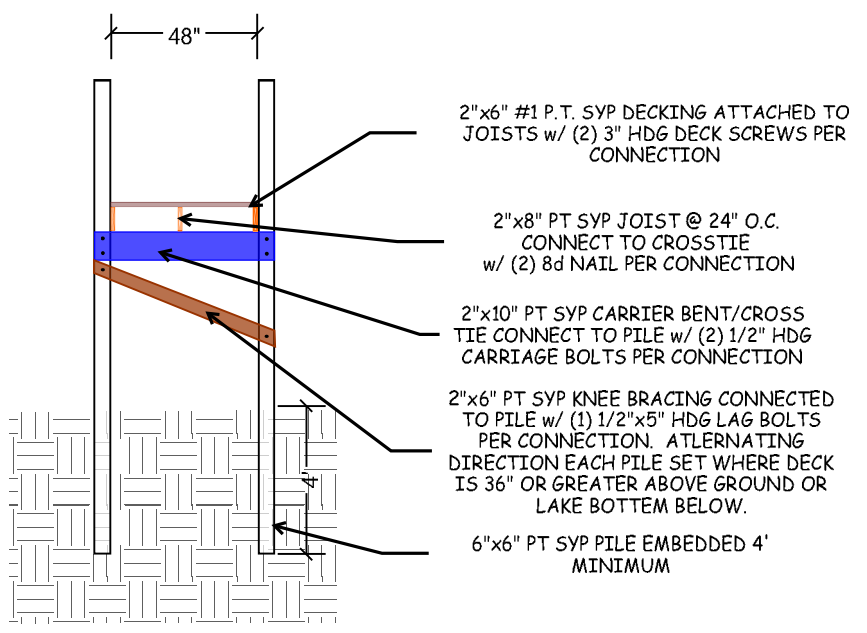
1 WALKWAY FRAME PLAN (TYP)
S-01 1"=5'

LEGEND

- = 6"x6" P.T. SYP 0.60 CCA PILE
- = 2"x10" #2 P.T. SYP 0.40 ACQ OR 0.15 CA-C CROSS TIE
- = 2"x8" #2 P.T. SYP 0.40 ACQ OR 0.15 CA-C JOIST
- = 2"x6" #2 P.T. SYP 0.40 ACQ OR 0.15 CA-C KNEE BRACING
- = 5/4"x6" WEARDECK REINFORCED POLYMERIC DECK BOARDS



2 WALKWAY ELEVATION (TYP)
S-02 1"=5'



3 WALKWAY SECTION (TYP)
S-01 1"=5'

FenderMarineConstruction
FENDERMARINE CONSTRUCTION
 8010 SUNPORT DR., UNIT 123
 ORLANDO, FL 32809
 (407)481-8383
 WWW.FENDERMARINE.COM
 CBC1267149

WALKWAY DETAILS
 for
 TODD LUKE DOCK
 at
 3066 KINGFISHER POINT
 CHULUOTA, FL

ENGINEER:

JENNIFER L. TELIGA, P.E.
 P.E. # 64621
 2901 BLUESTEM LN.
 CLERMONT, FL 34714
 (321)662-7503

JOB: Todd Luke Dock

DATE: 1/25/2024

VERSION: 2

SCALE: 1"=5'

DRAWN BY: R.A.H.

Digitally signed
 by JENNIFER
 TELIGA
 Date:
 2024.02.06
 14:51:18 -05'00'

This item has been electronically signed and sealed by Jennifer L. Teliga, P.E. on the Time Stamp shown using digital signature. Printed copies of this document are not considered signed and sealed and the signature must be verified on any electronic copy.

APPROVED BY:

SHEET NO.:
S-01